

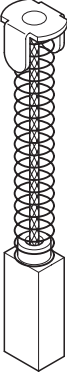
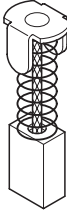
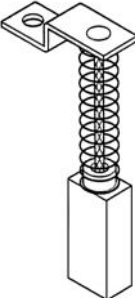
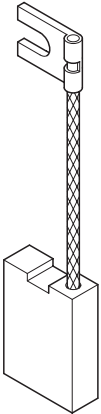
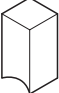
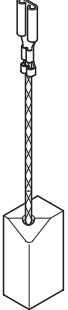
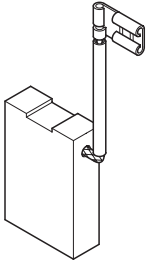
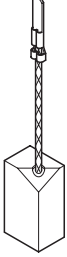
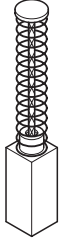
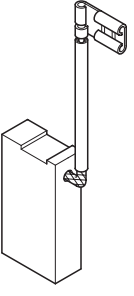
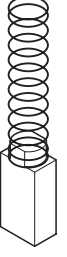
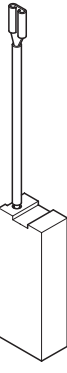
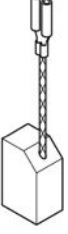
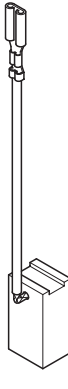
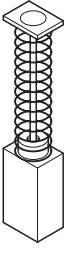


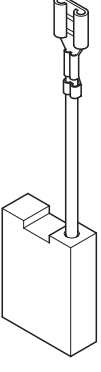

SPAZZOLE ADATTABILI PER UTENSILI

ADAPTABLE BRUSHES FOR TOOLS

BLACK & DECKER
ELU

Articolo Art.	Dimensioni mm. Dimensions mm.	Impiego Use	Figura Figure
1002	6x6x13	SMERIGLIATRICI / LAPPING MACHINES - P54/16	17
1833	6x6x14/19	TRAPANI / DRILLS - 6L-6/8M/8L2V/8GM	22
1702	6x6x15	TRAPANI / DRILLS - HM-GD-GM-HG AVVITATRICI / TORQUE MACHINES - HV25D	38
1005	6x6x15	LEVIGATRICI / SANDERS - DN67	38
1011	6x7x13.5	TRAPANI / DRILLS - BD562-BD564	90
1003	6x8x13.5	SMERIGLIATRICI / LAPPING MACHINES - P5411- P5412 - P5413 P5415 - P5416 - P5417 - PL82A - PL82A2 - BD12 - BD14	65
1706	6x8x14	SMERIGLIATRICI / LAPPING MACHINES - SAG850 - TSC	21
1899	6x8x15	SMERIGLIATRICI / LAPPING MACHINES - MAG 101/102 - DN12 - P.55/02	19
1838	6x8x15/18	SMERIGLIATRICI / LAPPING MACHINES - LAM - LEM LEVIGATRICI / SANDERS - OR - DN PIALLETTO / SPLANE - P71 - O1	50
1004	6x8x15	LEVIGATRICI / SANDERS - P63/O3	38
2120	6x8x16.5	TRONCATRICE / CUT OFF SAW - BD700 - BD800 - DN57 - DN800 DN810 - DN 820 - SR300 - SR700 SEGA CIRCOLARE / CIRCULAR SAW - P3703 B&D DE WALT	2
1012	6x8x18	MARTELLI / HAMMER - P80/20	80
1082	6x8x18	TRAPANI / DRILLS - BD423A - BD425RE - D425RE	40
1830	6x8x20/22	TRAPANI / DRILLS - 10 - 13 - 16SD - 23/322V SMERIGLIATRICI / LAPPING MACHINES - ANS/B - LEV 30	1
1001	6x12.5x24	SMERIGLIATRICI / LAPPING MACHINES - P59/22 - BI700 - P57/23 B&D DE WALT	36
1704	6.2x6.2x11	TRAPANO / DRILL - DNS	38
1703	6.2x6.2x13	TRAPANI / DRILLS - CK500 SMERIGLIATRICI / LAPPING MACHINES - SAG500/550 DN 10 AVV.SV/7V-SAB-SAT-P71/O3	17
1772	6.2x9.3x17/15	MARTELLI / HAMMER - MD2032 - MD2038 - P80/32 - P80/38	5
1840	6.2x12x24	TRAPANI / DRILLS - M232/262/322/R SMERIGLIATRICI serie PAG vecchio tipo/LAPPING MACHINES serie PAG old type	6
1084	6.3x8x13.5	SMERIGLIATRICI / LAPPING MACHINES - DW451A/B-DW451KA-WS12EA/B WS14EA/B/C-WS14EKA/B-WS14B/C	46
2123	6.3x12.5x23.5 Con autostacco with automatic disconnection	SMERIGLIATRICI / LAPPING MACHINES - BD2018 - BD2023 - DN2023 PL85A - SR283E - P5724 - P5732 - P5741 - P5922 - P5924 - P5932 P5952 - S900 SEGA CIRCOLARE / CIRCULAR SAW - P3902 TRONCATRICE A DISCO / DISC CUT OFF SAW - P3201 - P3202	20
1837	ø 6.3x13/14	TRAPANI / DRILLS - M500/520 - M700/720	55
1841	6.3x16x22	SMERIGLIATRICI / LAPPING MACHINES - SMEA 622/822 SMERIGLIATRICI / LAPPING MACHINES - PAG N.T. SMEA P.59/O3-P.59/12-P.59/16	6
1087	6.5x8x15	SMERIGLIATRICI / LAPPING MACHINES - KG65A - KG72A - KG90A	48
1009	6.5x16x24	SMERIGLIATRICI BeD - ELU - DE WALT / LAPPING MACHINES P57/52-P59/32-P59/52-P59/33-P57/22-P59/21-P59/41	20
2124	7x12x25	SMERIGLIATRICI / LAPPING MACHINES - SMEA/B - SMEA/C	1

Confezioni in buste da 30-50 pezzi / Packs of 30-50 pcs.

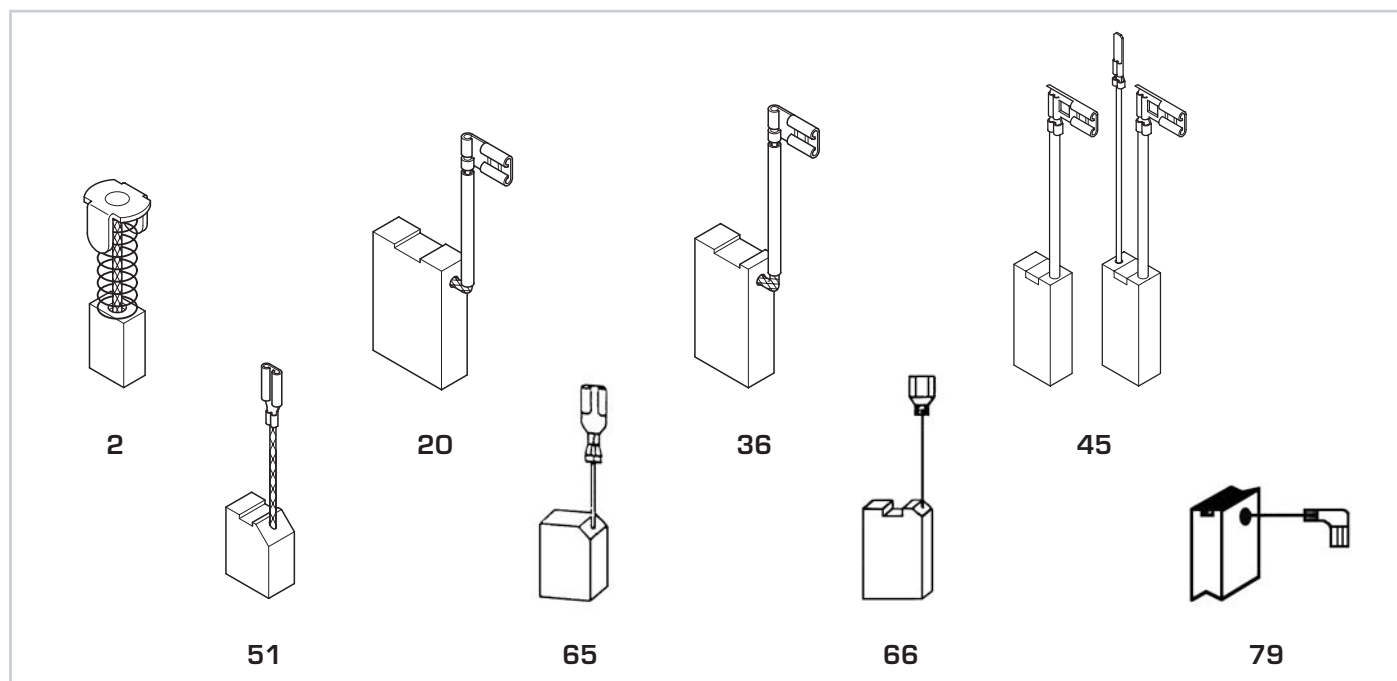
						
1	2	5	6	17	19	20
						
21	22	36	38	40	46	48
						
50	55	65	80	90		



SPAZZOLE ADATTABILI PER UTENSILI

ADAPTABLE BRUSHES FOR TOOLS

DE WALT



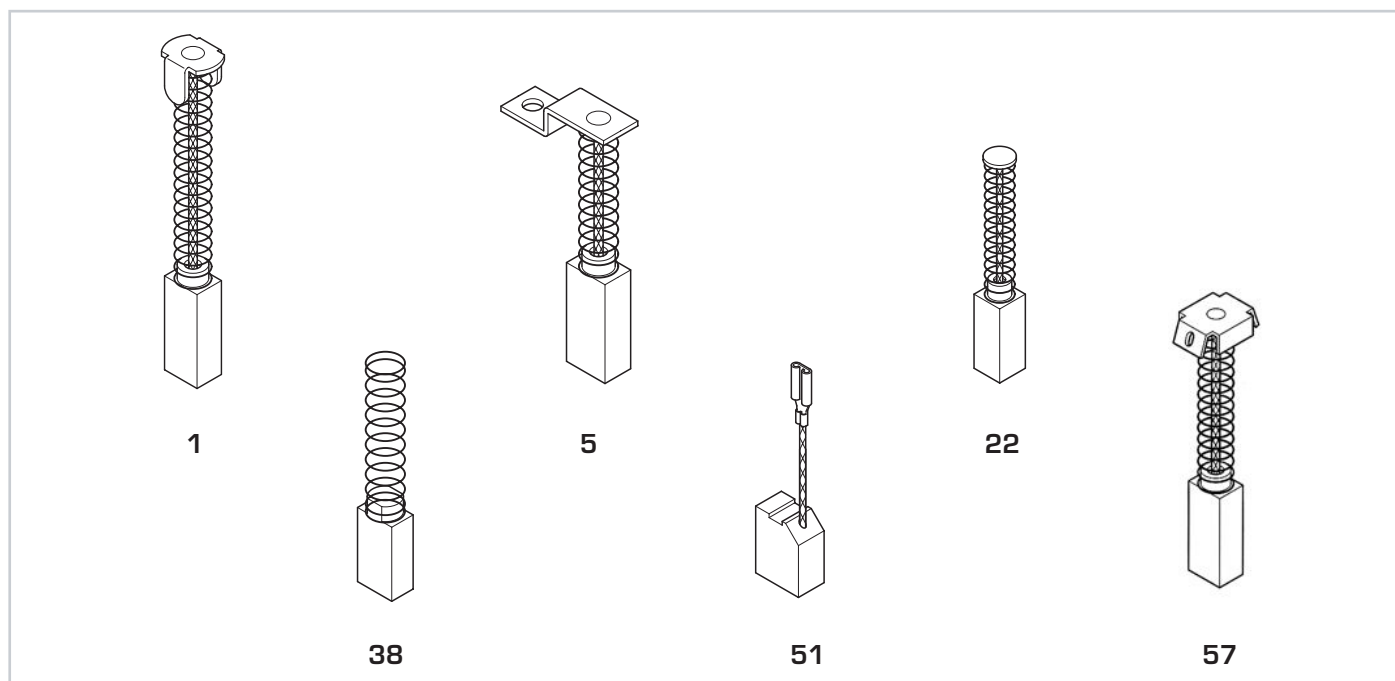
Articolo Art.	Dimensioni mm. Dimensions mm.	Impiego Use	Figura Figure
2120	6x8x16.5	TRONCATRICE / CUT OFF SAW - BD700 - BD800 - DN57 - DN800 DN810 - DN 820 - SR300 - SR700 SEGA CIRCOLARE / CIRCULAR SAW - P3703 B&D DE WALT	2
1083 (coppia) (brace)	6x10x24 Con autostacco with automatic disconnection	MARTELLI / HAMMERS - 5097A - DW541 - 541B - 541C 543A/B/C-545A/B/C-SH50EA-50EK TRAPANI / DRILLS - P8046A-BH40E-40EK-41E-45E-46E	45
1707	6x12.5x24	SMERIGLIATRICI / LAPPING MACHINES - P59/22-BI700-P57/23 B&D DE WALT	36
2121	6.3x8x13 Con autostacco with automatic disconnection	SMERIGLIATRICI ANGOLARI / ANGLE LAPPING MACHINES DW401-DW448-DW450K-DW451K - DW806-DW811-DW816-DW818 SEGHE ALTERNATIVE / HACKSAW - DW321K-DW322K-DW323K-DW324 TRAPANO / DRILL - DW133	65
2122	6.3x10x14 Con autostacco with automatic disconnection	SMERIGLIATRICI ANGOLARI / ANGLE LAPPING MACHINES DW458 - DW824	66
1085	6.3x10x14	SMERIGLIATRICI ANGOLARI / ANGLE LAPPING MACHINES DW458 - DW458K-DW42E-DW42V	51
1086	6.3x10x14 Con autostacco with automatic disconnection	SMERIGLIATRICI / LAPPING MACHINES WS42E-WS42V-DW458-DW458K	51
1009	6.5x16x24	SMERIGLIATRICI B&D DE WALT / LAPPING MACHINES P57/52-P59/32-P59/52-P59/53 - P57/22-P59/21-P59/41	20
2119	7.2x10.6x16	SEGHE CIRCOLARI / CIRCULAR SAWS - SEGHETTI / SMALL SAWS MESCOLATORI / MIXERS - AVVITATORI / SCREW DRIVERS D21510-D21520 - DW292-DW294-DW302-DW303K-DW304PK- DW307-DW309 - TS812E-TS815E	79

Confezioni in buste da 30-50 pezzi / Packs of 30-50 pcs.

SPAZZOLE ADATTABILI PER UTENSILI

ADAPTABLE BRUSHES FOR TOOLS

FELISATTI



Articolo Art.	Dimensioni mm. Dimensions mm.	Impiego Use	Figura Figure
1725	6x6x13	SMERIGLIATRICE / LAPPING MACHINE - TP116 LUCIDATRICE / POLISHER - TP512/AS	38
1726	6x6x13	SMERIGLIATRICI / LAPPING MACHINES - TP115-TP100-TP602-TP116	22
1724	6x6x13/15	TRAPANI / DRILLS - TP266-TP267-TP613-TP6132P- TP6132PSE-TP716RLE-TP267E-TP268E	1
1020	6x6x16.5	LEVIGATRICI / SANDERS - TP518-518/100 - TP520AS	22
1728	6x9x20/22	SMERIGLIATRICE / LAPPING MACHINE - TP170 LUCIDATRICI / POLISHERS - TP513-TP514-TP515	5
1024	6.3x6.3x13	TRAPANI / DRILLS - T550-550A-550P-550PRE-T551P PRE T555P-PRE-TP601/2-TP601/2PRLE TP600/RLE-TP602-TP616-TP517-517/A-TPS516E	38
1023	6.3x16x21	FRESATRICI / ROUTERS - TP246 - 246/E SMERIGLIATRICE / LAPPING MACHINE - A24/6 CE	51
1727	6.5x12.5x20	SMERIGLIATRICE / LAPPING MACHINE - TP190/6/8 - TP200/6/8	1
1729	7x12x18	FRESATRICE / ROUTER - CT248	57
1770	6.4x16x20	SMERIGLIATRICE / LAPPING MACHINE - TP220/6/8	5
1869	9x12x25/28	SMERIGLIATRICE / LAPPING MACHINE - SF258	1

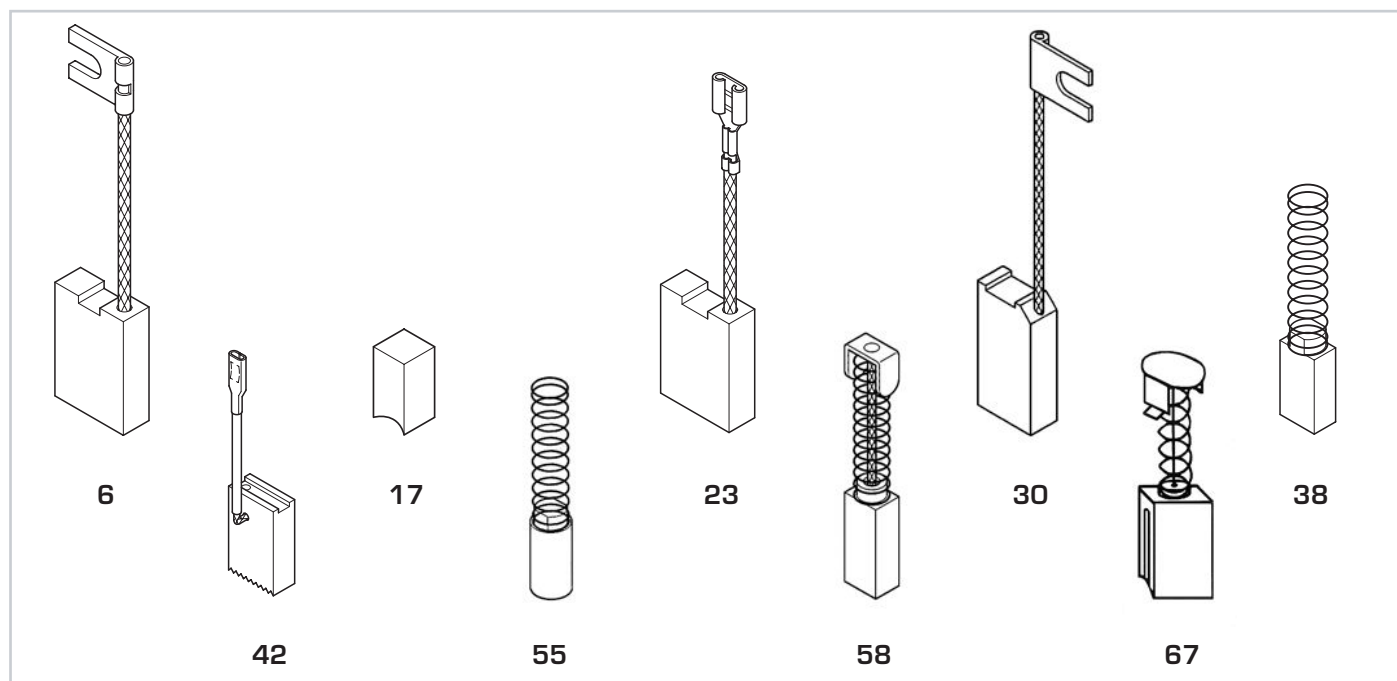
Confezioni in buste da 30-50 pezzi / Packs of 30-50 pcs.



SPAZZOLE ADATTABILI PER UTENSILI

ADAPTABLE BRUSHES FOR TOOLS

STAYER



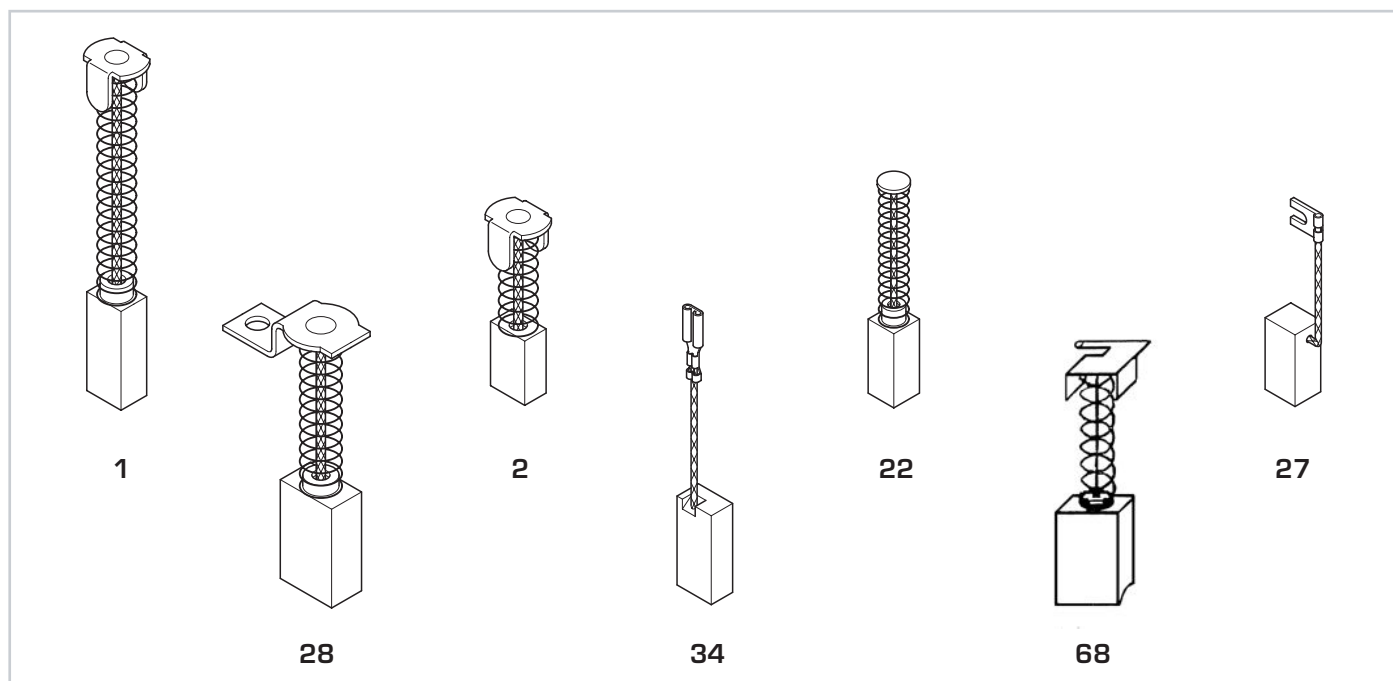
Articolo Art.	Dimensioni mm. Dimensions mm.	Impiego Use	Figura Figure
1886	6x6x13	SMERIGLIATRICI - LUCID. / MACHINES - POLISH. - LEV.Z1-Z207A/202/203-SA7/207 LAPPING - SD25-R0400/12/13	17
1720	6x6x15	TRAPANI / DRILLS - 380 - 381- 382 - 383 - 384 TC300 - 5001 - 7000 - 9000	38
1723	6x10x20	SMERIGLIATRICI - LAPPING MACHINES - Z10/3/5 - LU75/80 - LEV6	6
1887	6x14x22	SMERIGLIATRICI - LUCID. / MACHINES - POLISH. - LEV.Z20/15/25-B6/8-Z7/9-SA12/10	30
1030	6x14x22	SMERIGLIATRICI - LUCID. / MACHINES - POLISH. - LU170 - LU172 SC250 - SC251	6
1719	6.2x6.2x13	TRAPANI / DRILLS - 352/353	38
1885	ø 6.2x13	TRAPANI / DRILLS - TC4002-TM132V/10AP-370-336 - 362-364-339-365-113/13A TM34.SF/346/368/387/388/372/376/337	55
2130	6.35x8x12.5	SMERIGLIATRICE / LAPPING MACHINE - FH730	67
2131	6.5x8x15	SMERIGLIATRICE / LAPPING MACHINE - SA720	42
1880	9x12x20/25	SMERIGLIATRICI / LAPPING MACHINES - K6 - K8	58
1882	9x12x25/28	SMERIGLIATRICI / LAPPING MACHINES - SA/6/8	58
1722	9x14x22	SMERIGLIATRICI / LAPPING MACHINES - 208/209	6
1031	9x14x22	SMERIGLIATRICI / LAPPING MACHINES - 211 - 213 - SA16 - SA14 SA290 - SA293 - SA295 - SA297 - TU507	23

Confezioni in buste da 30-50 pezzi / Packs of 30-50 pcs.

SPAZZOLE ADATTABILI PER UTENSILI

ADAPTABLE BRUSHES FOR TOOLS

RUPES



Articolo Art.	Dimensioni mm. Dimensions mm.	Impiego Use	Figura Figure
1710	6x6x16/10	TRAPANI A PERCUSSIONE / <i>PERCUSSION DRILLS</i> - PC15-TN6/8/10 LEVIG. ORBITALE / <i>ORBIT. SAND.</i> - LE7/7A S084/84A	1
1711	6x7x11/13	SMERIGLIATRICI - <i>LAPPING MACHINES</i> - AR30-BR9-TRAPANI PD30/2 NL13/16-TR10/13-TV10-PD13/13E	22
1040	6x7x12.5/11	AVVITATORE / <i>TORQUE WRENCH</i> - CE7R	1
1714	6x7x14	SMERIGLIATRICI / <i>LAPPING MACHINES</i> - AR34-AR10-AR5-BA15- BR5/3-BR3/3A	27
1041	6x8x13	SMERIGLIATRICI / <i>LAPPING MACHINES</i> - AR37-BA21	34
1715	6x8x15/17	LEVIGATRICI / <i>SANDERS</i> - SS70-SSPF-SSMN-SSCA RIFILATORE / <i>TRIMMER</i> - RP84	1
1716	6x8x20/22	LEVIGATRICE SUPER STORK / <i>SUPER STORK SANDER</i>	22
2141	6x9x20	LEVIGATRICE / <i>SANDER</i> - LH31	68
1846	6x9x21/23	LEVIGATRICE A DISCO / <i>DISC SANDER</i> - SM1- LDR23-LDR6-LT2-LAR3- LAR23-NL23-NL3-NL2 SMERIGLIATRICE / <i>LAPPING MACHINE</i> - LAR2-5-8-12	1
2143	6x9x21/23 Con autostacco with automatic disconnection	LEVIGATRICE A DISCO / <i>DISC SANDER</i> - SM1-LDR23-LDR6-LT2-LAR3- LAR23-NL23-NL3-NL2 SMERIGLIATRICE / <i>LAPPING MACHINES</i> - LAR2-5-8-12	1
2142	6.3x11.3x28.5	ASPIRATORE / <i>ASPIRATOR</i> - S80	2
1712	7x12x20/22	SMERIGLIATRICI / <i>LAPPING MACHINES</i> - GM6/8 - GD7 - GP6/8	28

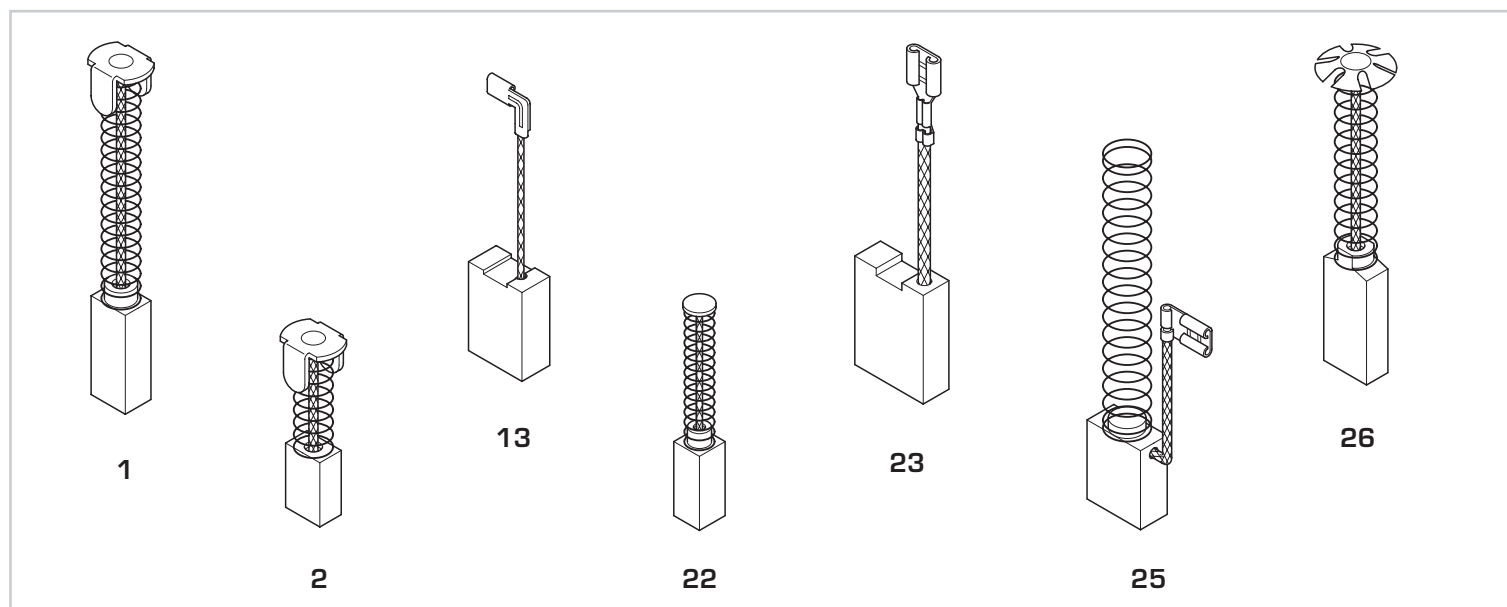
Confezioni in buste da 30-50 pezzi / Packs of 30-50 pcs.



SPAZZOLE ADATTABILI PER UTENSILI

ADAPTABLE BRUSHES FOR TOOLS

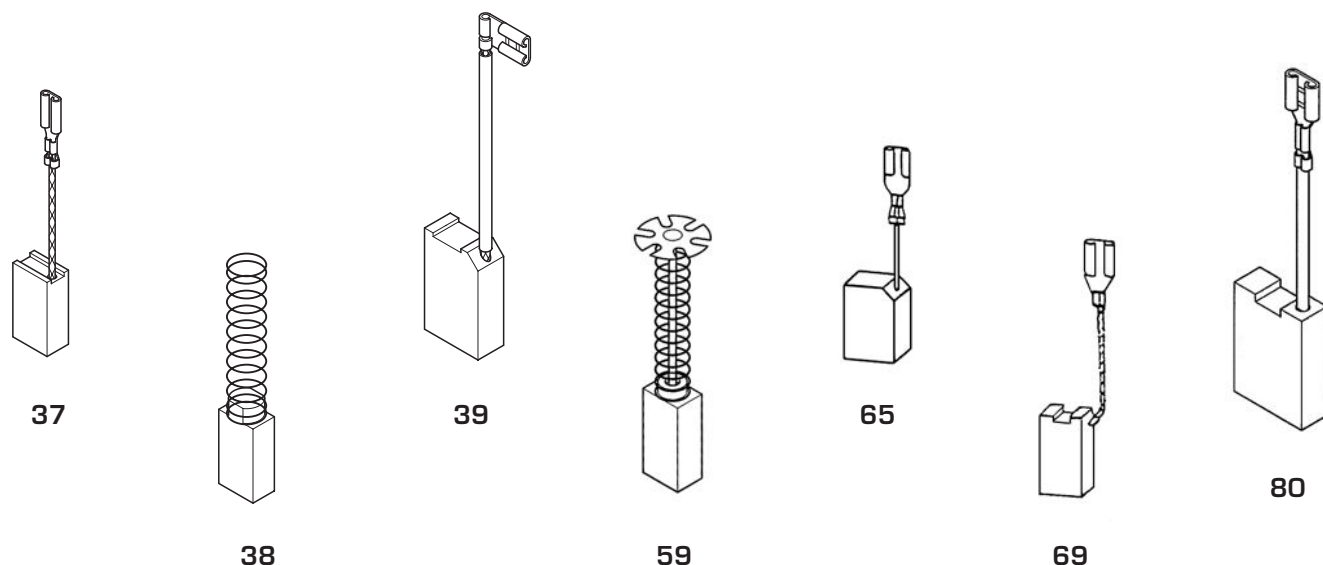
AEG MILWAUKEE



Articolo Art.	Dimensioni mm. Dimensions mm.	Impiego Use	Figura Figure
1745	4x6x12/14	SMERIGLIATRICI / LAPPING MACHINES - WS330 - GS330	22
2152	5x8x14	TRAPANI / DRILLS - SBE15R - SBE18R - SBE520R - SB2.16N - SB2.600 - SB2E550 - SB2E600R - SB2E650R - SB2E650RL - SB2E680R - SB2E700 - SP2.16 / MILWAUKEE MARTELLI / HAMMER - PN3000R2 - PN3000XN2 / MILWAUKEE	2
1818	5x8x14/16	TRAPANI / DRILLS - SB2004 - SB26 - BV26A - SB4.350 - SB1330	22
1748	5x8x15	SMERIGLIATRICI / LAPPING MACHINES - WS600/601 - SB2400	37
1744	5x8x15/17	TRAPANI / DRILLS - BWE6 - SB2.350 - SBE380 - BE8-B2E13 - SBA401 - SB2E501 - BE13RLD - PHE20 - RLN - SB216 - SB2E 13RL	38
1746	5x8x16	SMERIGLIATRICI / LAPPING MACHINES - WS480 - WS500/550	23
1051	5x8x16	SMERIGLIATRICI / LAPPING MACHINES - WS602 - WS710-115	37
1050	5x8x16.2/14.3	TRAPANO / DRILL - SB2 16H	1
2153	5x8x16.5 Con autostacco with automatic disconnection	SMERIGLIATRICE ANGOLARE / ANGLE LAPPING MACHINE AG805 125XE/115XE/125XC - 715 - 125X/115X/100/ MILWAUKEE TRAPANO / DRILL - SB22 / MILWAUKEE	69
2155	5x10x16 Con autostacco with automatic disconnection	SMERIGLIATRICE ANGOLARE / ANGLE LAPPING MACHINE WSE 1200C-WSE 1300-WS 1000-WSCE 1300-WSL 125XL-WSSCE1300 TRAPANO / DRILL - SB2E20R/22R - SB2E24RT - DKE 1300 MARTELLI / HAMMER - PN3500-PN3500X-PN3000X2-PN3000SUPX2- PHE30RX - PHE3-PHE3X - PHE350RX2 - PHE26RX2 / MILWAUKEE	37
1749	5x10x16	SMERIGLIATRICI / LAPPING MACHINES - WS750/751	23
1747	5x10x17	SMERIGLIATRICI / LAPPING MACHINES - WS700	23

Confezioni in buste da 30-50 pezzi / Packs of 30-50 pcs.

AEG MILWAUKEE



Articolo Art.	Dimensioni mm. Dimensions mm.	Impiego Use	Figura Figure
1052	5x10x18/15	TRAPANO / <i>DRILL</i> - B2E 13 RLD	1
1053	5x10x18/16.5	MARTELLI / <i>HAMMER</i> - PH38	1
1771	5x10x25/21	SMERIGLIATRICE / <i>LAPPING MACHINE</i> - WSA	26
2151	5.4x7x9	TRAPANO / <i>DRILL</i> - P18T.S14.4T.S12T.PES 12T. PES9.6.PAD12/ MILWAUKEE RODITRICE / <i>NIBBLING MACHINE</i> - PN 12PP/ MILWAUKEE SEGA A GATTOCCIO DIRITTA / <i>TURNING SAW</i> - PSX 18/ MILWAUKEE	1
NOVITÀ 2159	5.9x11.1x17.5	MARTELLI / <i>HAMMERS</i> - PHF45SQ	65
1752	6x12.5x16/18	SEGHETTI / <i>SMALL SAWS</i> - HK50 - HK55 - HK75/CA	25
1750	6x12.5x21 Con autostacco with automatic disconnection	SMERIGLIATRICI / <i>LAPPING MACHINES</i> - WSA1400S - WS1400	23
NOVITÀ 2160	6.3x8x11.5	TRAPANI / <i>DRILLS</i> - HDEI3RQD	22
1055	6.3x12.5x24/20 Con autostacco with automatic disconnection	TRAPANO / <i>DRILL</i> - B432	26
2157	6.4x10x16	SMERIGLIATRICE / <i>LAPPING MACHINE</i> - WS1201 LEVIGATRICE / <i>SANDER</i> - WP1900 - SA1201/1200 - WSE180	13
1751	6.5x12.5x20	SMERIGLIATRICI / <i>LAPPING MACHINES</i> - WSA1801 - WS1801 WSE2301 - WSAE2301	39
2158	8x14x20	SMERIGLIATRICE ANGOLARE / <i>ANGLE LAPPING MACHINE</i> WSA 2100 moderna - WSA 2300/ MILWAUKEE	80
1810	10x16x25/28	SMERIGLIATRICI / <i>LAPPING MACHINES</i> - WSA 1400 - 48 volt	59

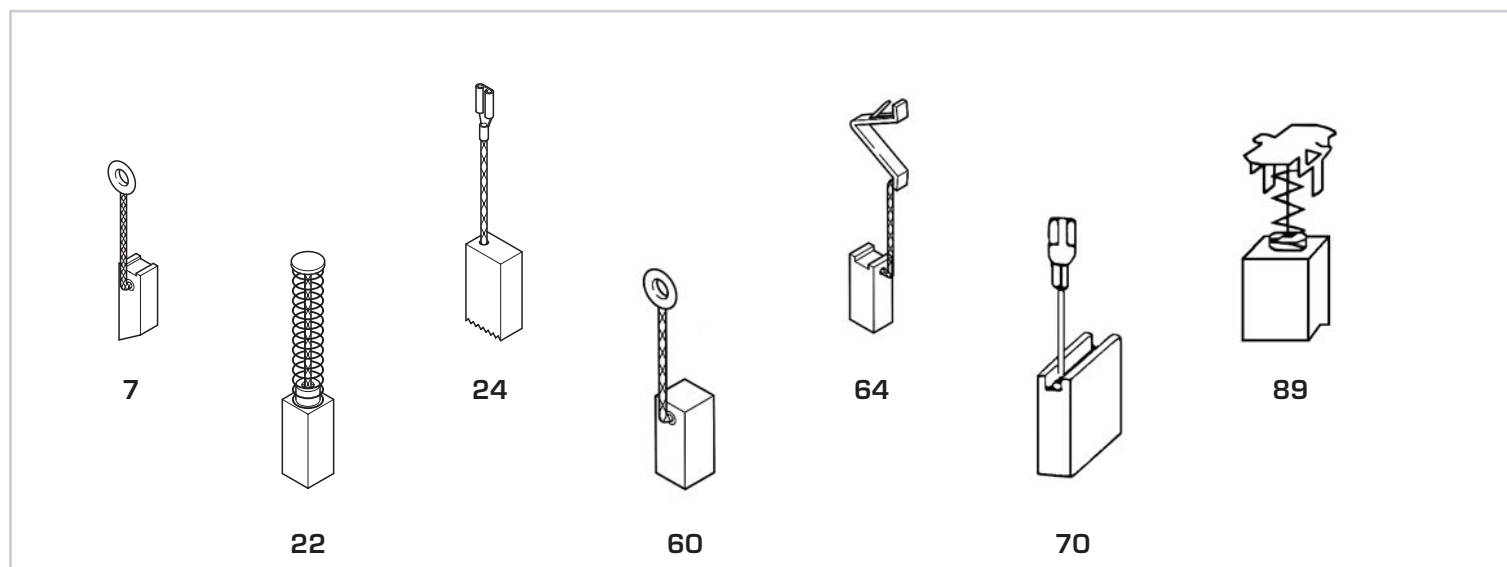
Confezioni in buste da 30-50 pezzi / Packs of 30-50 pcs.



SPAZZOLE ADATTABILI PER UTENSILI

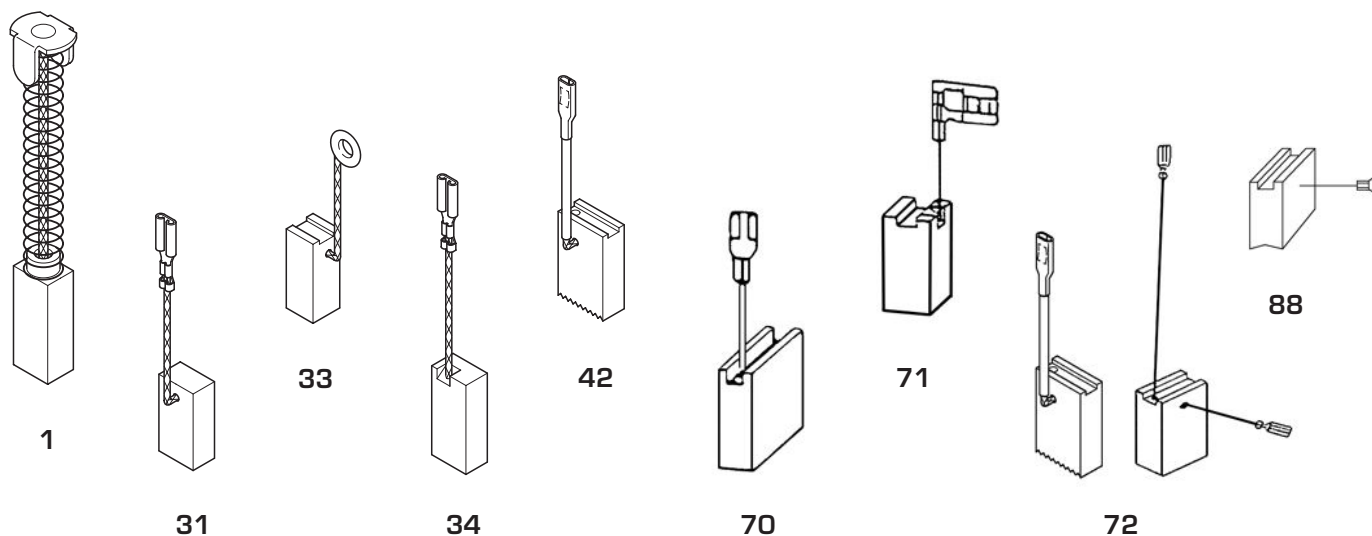
ADAPTABLE BRUSHES FOR TOOLS

BOSCH



Articolo Art.	Dimensioni mm. Dimensions mm.	Impiego Use	Figura Figure
1850	4x5x12	GIRAVITE / SCREW DRIVER - EW/URJ54	64
1871	4.2x5x11	TRAPANI SCINTILLA / SPARK DRILLS - GEF/1-2-3	60
1906	4.3x4.8x15	TRAPANI / DRILLS - 1116 - 1109 SMERIGLIATRICI / LAPPING MACHINES - 203 - 1316	7
2161	5x8x9	MARTELLI / HAMMER - GAH500DS(1121.5) - GBH2S - GBH2SE(1126.5) GBH2SR(1226.8) - GBH2.20S - GBH2.20SE - GBH2.24DS(1228.0) GBH2.24DSE(1228.6) - GBH2.24DSR(1228.7)	70
NOVITA NEW 2174	5x8x11	AVVITATORI / SCREW DRIVERS - GDR 9.6V- GDR12 V-GDR 14.4V GDR 18V - GDS 12V-GDS 14.4V - GSD 18V	89
2162	5x8x14.5	TRAPANO / DRILL - 1140.1 - GSB16.2 - GSB16RE - GSB18.2(1141) GSB18.2RE(1141.6) TRAPANI / DRILLS - 117 - PSB450R	22
2163	5x8x15	MARTELLI / HAMMER - DB 500 - GBH 2 SR(1226.7) - GBH 2/20 REA GBH 2/24 DSR(1218.7) PBH 20 RF UBH 2/20 RLE - UBH 2/20 SERL	22
2164	5x8x15.5	SEGA CIRCOLARE / CIRCULAR SAW - PKS40 - PKS46 LEVIGATRICE / SANDER - GSS230A - 230AE - 280A - 280AE GEX125A - AC - 150AC - PSS280 - 280A - GBH2SE(1226.6) - GBH2/22E MARTELLI / HAMMER - GBH2/24DS(1218.0) - GBH2/24DSE(1218.6) GBH2/24(1218.5) - GAH500DSE(1221.6) - GAH500DSR - 11215.5-10.6 - UBH2/14S - UBH2/14SE - UBH2/20S - UBH2/20SE(1210.6) PIALLETTO / PLANE - PHO 50-150-200 - GHA 500DSR LEVIGATRICE A NASTRO/BELT SANDING MACHINE - PBS 60 - PBS 60E PBS 75 - PBS 75E	22
1066	5x8x15.5	SMERIGLIATRICE NUOVA / NEW LAPPING MACHINE - GWS6-115	24
1754	5x8x16	TRAPANI / DRILLS - 1179 - 1180 - 1199 - 3149 - 3163 SEGHETTI / SMALL SAWS - PST65-54-52 - PBH2 - CSB850-800-700-650 620-550-PSB400-GSB18-20-GBHH2-24	22

Confezioni in buste da 30-50 pezzi / Packs of 30-50 pcs.



Articolo Art.	Dimensioni mm. Dimensions mm.	Impiego Use	Figura Figure
1067	5x8x17	SMERIGLIATRICE ASSIALE / AXIAL LAPPING MACHINE - GG27LC SEGHETTO / SMALL SAW - GST60PBAE SMERIGLIATRICE ANGOLARE / ANGLE LAPPING MACHINE - GWS850	31
1755	5x8x17/30 Con autostacco with automatic disconnection	SMERIGLIATRICI / LAPPING MACHINES - 1337 - 1338 - 1347 - 1348 GWS7-115 - GST60 P GST60 PAE GST85 - PWS710 - PWS6 - 115 PWS7 125-POF500	34
2165	5x8x19	MARTELLO / HAMMER - GBH 2.24 DFR	70
2166	5x10x17	MARTELLO / HAMMER - UBH4/26DS - GBH 4 DSC - GBH 4 DFE	71
2167 (coppia) (brace)	5x10x17	MINI SMERIGLIATRICE / MINI LAPPING MACHINE - GWS 10 - GWS 14 GWS 14 125/125C(1384.6/7/8/9) GWS 14 125 CS - GWS 14.150 (tutte) SMERIGLIATRICE / LAPPING MACHINE - GWS14 - 125CE - GWS14 - 150C LEVIGATRICE / SANDER - BR14C	72
1068	5x10x17 Con autostacco with automatic disconnection	SMERIGLIATRICE / LAPPING MACHINE - GWS7115-GWS9125 - GWS10-125	42
2168 (coppia) (brace)	5x10x17.5 Con autostacco with automatic disconnection	MINI SMERIGLIATRICE / MINI LAPPING MACHINE - GWS 14 125CE GWS 14 150C	72
2169	5x10x18 Con autostacco with automatic disconnection	MINI SMERIGLIATRICE ANGOLARE / ANGLE MINI LAPPING MACHINE 1701.9 - 170A GWS 9.125 - PWS10.125CE - PWS 13.125CE	88
1757	6x14x23/25	CESOIA / SHEARING UNIT - 1501 RODITRICE / NIBBLING MACHINE - 1525	1
1905	6.2x6.2x15	TRAPANI / DRILLS - 1106-1107-1108	33

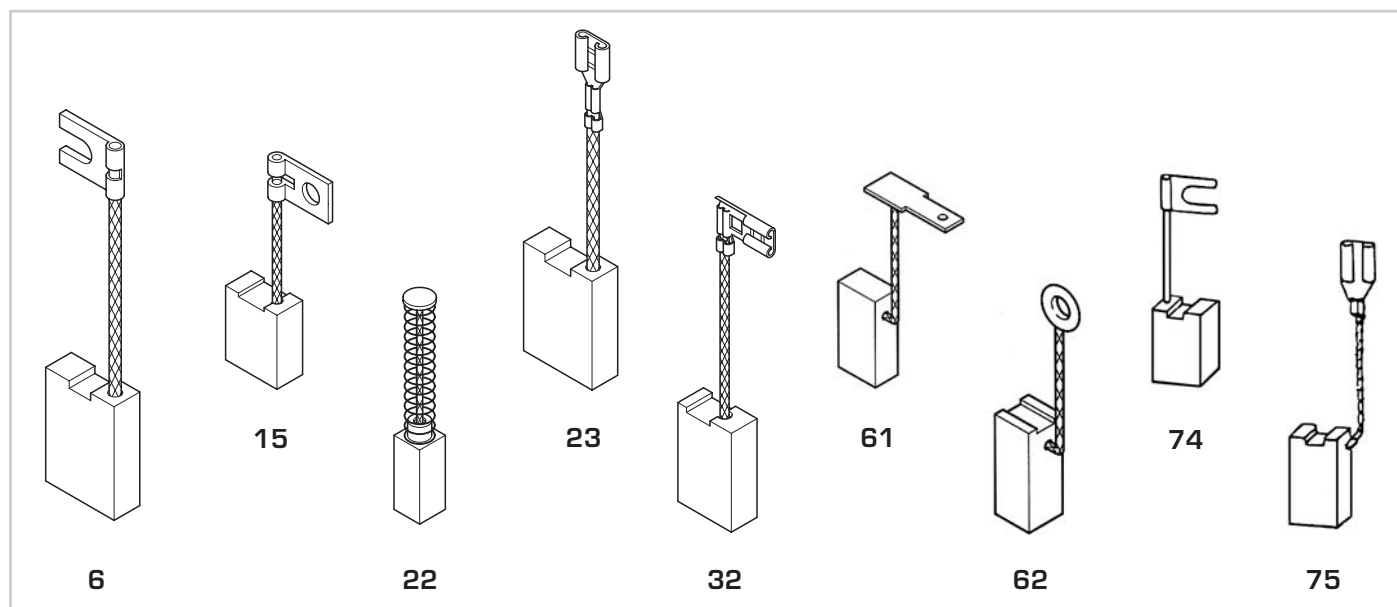
Confezioni in buste da 30-50 pezzi / Packs of 30-50 pcs.



SPAZZOLE ADATTABILI PER UTENSILI

ADAPTABLE BRUSHES FOR TOOLS

BOSCH



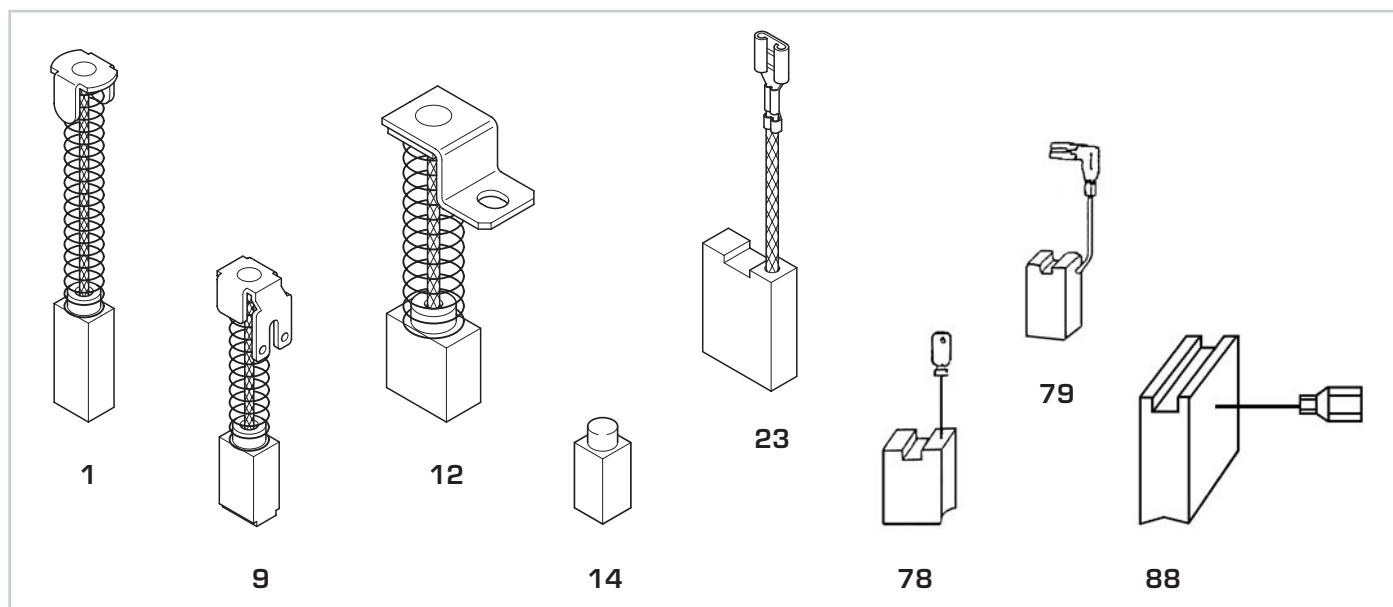
Articolo Art.	Dimensioni mm. Dimensions mm.	Impiego Use	Figura Figure
1063	6.2x12.5x22.5	MARTELLINO / HAMMER - GBH 5/40	32
1064	6.2x16x22 Con autostacco with automatic disconnection	SMERIGLIATRICI / LAPPING MACHINES - 1322 - 1332	6
1065	6.2x16x22 Con autostacco with automatic disconnection	SMERIGLIATRICI / LAPPING MACHINES - GWS19-180 - GWS21-180 GWS24-180 - GWS18-230 - GWS19-230 - GWS21-230 GWS24/230	23
1904F	6.2x16x22	SMERIGLIATRICI / LAPPING MACHINES - 1321 - 1322 - 1323	23
1904	6.2x16x22	SMERIGLIATRICI / LAPPING MACHINES - 1321 - 1322 - 1323	6
1875	6.3x6.3x15	SEGHETTO SCINTILLA / SPARK SMALL SAWS	61
1060	6.3x6.3x16.7/15.7	TRAPANI / DRILLS - CSB 300 - 350 - 400	22
1759	6.3x12.5x18 Con autostacco with automatic disconnection	MARTELLI / HAMMERS - 11002 - 11305 - 11203	15
2170	6.3x16x22.5	MARTELLI / HAMMERS - 11304.0 - USH27	74
1069	6.3x16x26	MARTELLI / HAMMERS - GBH10-GSH10	23
2175	6.3x16x23	SMERIGLIATRICE ANGOLARE / ANGLE GRINDER GWS 20-180H - GWS20-180JH - GWS20-230H - GWS20-230JH GWS21-180H - GWS21-180JH - GWS21-230H - GWS21-230JH GWS24-180B - GWS24-180H - GWS24-180JB - GWS24-230H GWS24-230JH - GWS24-230JB - GWS24-180JBX - GWS24-230JBX GWS26-180H - GWS26-230B - GWS26.230H - GWS26-230JH GWS26-230JB - PWS20-230 - PWS 1900 - PWS20-230J	23
2171	6.4x12.5x19	MARTELLI / HAMMERS - 1201 - 1201.8 - 1201.9 - 1302 - 11209.1 - 11214 - 11302 - 11305 - GBH7/45 - GBH7/45DE - GBH8DCE GBH8/65DCE - UBH10/50 - UBH12/50 - USH10	15
1903	6.5x8x15	TRAPANI / DRILLS - 1110 - 1111 - 1112 - 1113 - 1403 - 1461 - 1173	62
1758	6.5x10x17	MARTELLINO / HAMMER - 11205	6
2172	7x8x17	MARTELLI / HAMMERS - GBH 24 VRE 1.7AH - GBH 24 VRE 2.5AH - GBH 24 VRE 3.0AH	75
2176	7x8x18.5	SEGHE CIRCOLARI / CIRCULAR SAWS - GBB36VF-LI SEGHETTI / SMALL SAWS - GBB36V-LI	23

Confezioni in buste da 30-50 pezzi / Packs of 30-50 pcs.

SPAZZOLE ADATTABILI PER UTENSILI

ADAPTABLE BRUSHES FOR TOOLS

METABO



Articolo Art.	Dimensioni mm. Dimensions mm.	Impiego Use	Figura Figure
2191	5x10x16 Con autostacco with automatic disconnection	MINI SMERIGLIATRICE / <i>MINI LAPPING MACHINE</i> - W7-115	88
1762	6x6x12.5	TRAPANO / <i>DRILL</i> - SB450	14
2192	6x16x20 Con autostacco with automatic disconnection	SMERIGLIATRICI / <i>LAPPING MACHINES</i> - W2030 WS2030/ 2530/2080 - W75	79
2193	6x16x22 Con autostacco with automatic disconnection	SMERIGLIATRICI ANGOLARE / <i>ANGLE LAPPING MACHINES</i> - Marathon W2080 - 81X - 2030 - 1X - 2280 - 81X - 2230 - 82XQuick 32XQuick - W75 - W75X	78
2194	6.35x8x15 Con autostacco with automatic disconnection	LEVIGATRICE A NASTRO / <i>BELT SANDING MACHINE</i> - 3360 - BAE0875 - BSO775 PIALLETTO / <i>PLANE</i> - HO 4380 SMERIGLIATRICE / <i>LAPPING MACHINE</i> - EW10.125 Quick	13
2195	6.4x8x16 Con autostacco with automatic disconnection	FRESATRICE / <i>SPINDLE MOULDER</i> - FME727 SEGHETTO ALTERNATIVO / <i>BACK SAW</i> - STEP700 MINI SMERIGLIATRICE / <i>MINI LAPPING MACHINE</i> - EW6114(001) EW7025S - EW7115S - EW7115SQuick - EW7116S Vari peel - EW7117Quick - EW7126S - EW7126SQuick - EWE7116S - EWE9024S EWE9123S - EWE9123SQuick - EWE9125S EWE9125SQuick - EW9126S - EW9127 Signal	79
1761	6.5x6.5x17	TRAPANO / <i>DRILL</i> - 75008	1
1760	6.3x8x15	TRAPANO / <i>DRILL</i> - SB600	9
1766	6.5x8x15	SMERIGLIATRICE / <i>LAPPING MACHINE</i> - 6162	23
1769	6.5x10x23	MARTELLO / <i>HAMMER</i> - 1130	1
1768	6.5x12.5x19	MARTELLO / <i>HAMMER</i> - 1129S	79
1764	8x14x14	SMERIGLIATRICE / <i>LAPPING MACHINE</i> - 612680	12
2196	10x5x16.5	SEGHE CIRCOLARI / <i>CIRCULAR SAWS</i> - W8-115 SEGHETTI / <i>SMALL SAWS</i> - W8-115 Quick	88

NOVITÀ
NEW

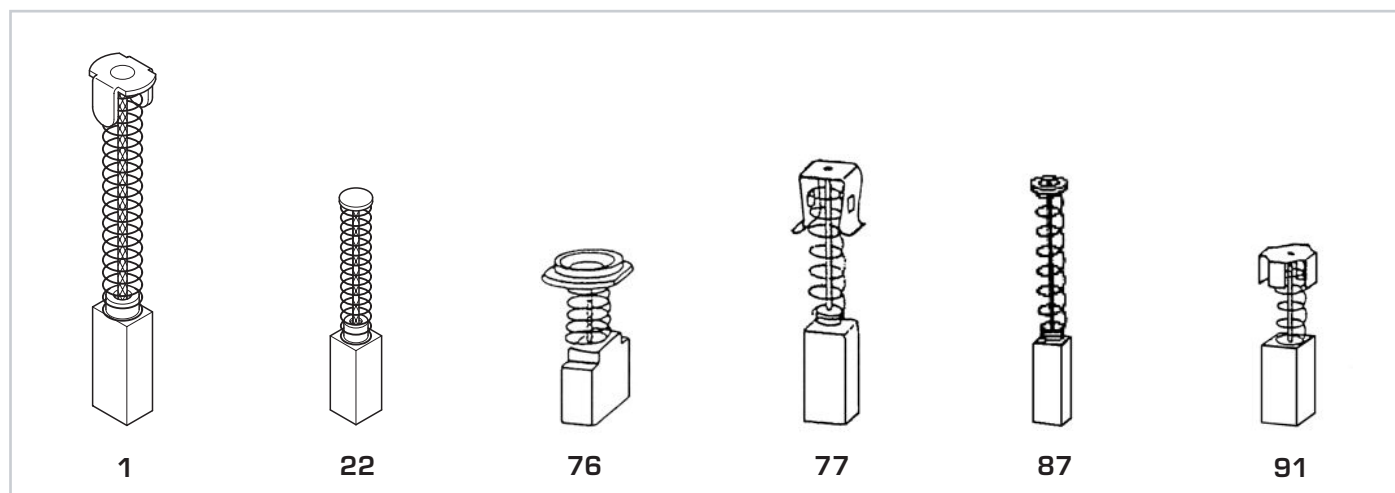
Confezioni in buste da 30-50 pezzi / Packs of 30-50 pcs.



SPAZZOLE ADATTABILI PER UTENSILI

ADAPTABLE BRUSHES FOR TOOLS

MAKITA



Articolo Art.	Dimensioni mm. Dimensions mm.	Impiego Use	Figura Figure
1734	5x5x6/7	SMERIGLIATRICE / LAPPING MACHINE - 903	22
1732	5x8x9/14	TRAPANO / DRILL - BA3000 SEGHETTI / SMALL SAWS - G1600 - LS1600 - JN1600	1
1733	5x8x10/12	TRAPANI / DRILLS - 8410D - 8410BV	1
1731	5x8x13	TRAPANI / DRILLS - 6300/4 - 8419/B-9045	2
2181	5x11x16.5	MARTELLI / HAMMERS - HM1100 - HM1100C/CS HM1100S - HM1130 - HR3000C - HR4000C	76
2182	5x11x16.5	TRAPANO / DRILL - DA4000LR SEGA CIRCOLARE / CIRCULAR SAW - 5017RKB - 5603R - 5604R 5703R - 5704R - 5705R SMERIGLIATRICI / LAPPING MACHINES - 9015B - 9016B LEVIGATRICI / SANDERS - 9227CB - 9403 - 9404 - 9903 - 9920 SEGA A GATTOCCIO DRITTA / TURNING MOULDER BLOWER GV7000C - PV7000C FRESATRICE / SPINDLE MOULDER - UC3501A - UC4001A SOFFIATRICE / BLOWER - RP0910C - RP1110C - UB1101	76
2183	6x9x11	TAGLIASIEPE / HEDGE CUTTER - UH4850 - UH5550 - UH6350 MINI SMERIGLIATRICE / MINI LAPPING MACHINE - 910 - N910 TRAPANO A PERCUSSIONE / PERCUSSION DRILL - 8450K - 8451K HP1500 - HP1501/K - HP2030 - HP2031 - HP2033 - HP2040 HP2041 - HP2042 - HP2051 - H2051F TRAPANI / DRILLS - 800 - N800 - 6310 - 6408 - 6410 - DP3002 DP4000 - DP4002 MARTELLI / HAMMERS - HR2410 - HR2020 - HR2431 - HR2440 HR2440F - HR2450 - HR2450F - N4304 - N4305 - 4304 - 4304T - 4305 SEGHETTO ALTERNATIVO/ HACK SAW - 4305T - 4340T - 4340CT 4340FCT - 4341CT - 4341FCT AVVITATORI / TORQUE MACHINES - 6807 - 6821 - 6823 - 6824 - 6825 - 6826 - 6827 LEVIGATRICE ORBITALE / ORBITAL SANDER - 9046 - B04900V - B04901 - B05000 - B05001	77

Confezioni in buste da 30-50 pezzi / Packs of 30-50 pcs.

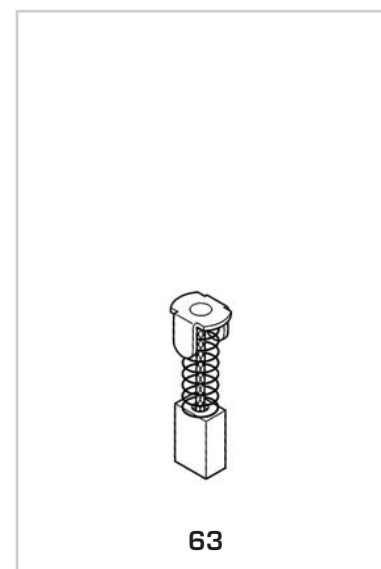
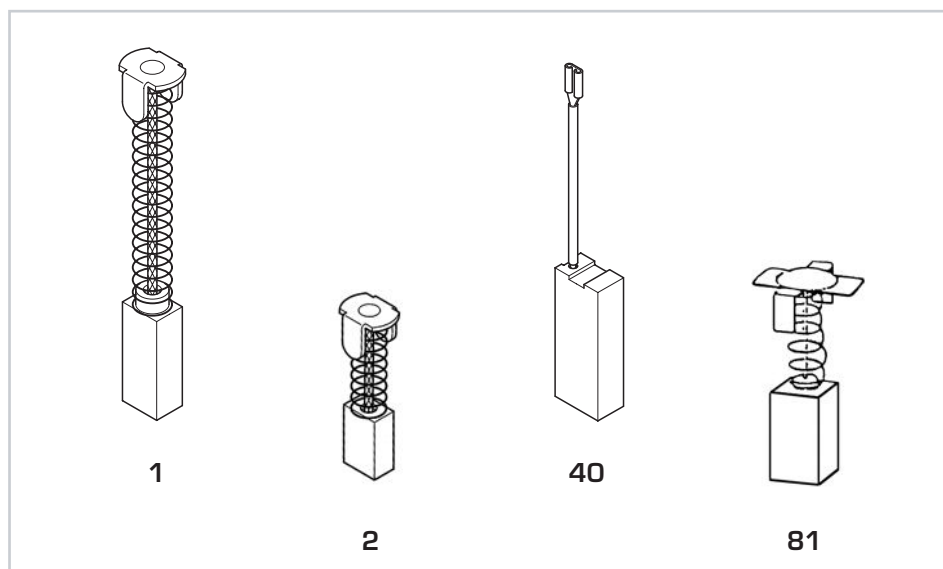
Articolo Art.	Dimensioni mm. Dimensions mm.	Impiego Use	Figura Figure
2184	6x9x12	SMERIGLIATRICE ANGOLARE / ANGLE LAPPING MACHINE - 9031 MINI SMERIGLIATRICE / MINI LAPPING MACHINE - 9501BM - 9505BM 9520NB - 9521NB - 9522NB - 9524NB - 9525NB - 9527 - 9527NB - 9527NBK - 9528 - 9528NB - N9500N MARTELLI / HAMMERS - N9501B - N9501BH - N9503BH SEGA CIRCOLARE / CIRCULAR SAW - 500 - N500 RODITRICE / NIBBLING MACHINE - JN1601 AVVITATORE AD IMPULSI / IMPACT WRENCH - 6950 LEVIGATRICE A NASTRO / BELT SANDER MACHINE - 9011 - 9031 - 9910 - 9911 - 9032 AVVITATORE / TORQUE MACHINE - 6830 - 6832 - 6833 - 6834 - 6951 FRESATRICI / SPINDLE MOULDERS - 3703 - 3704 - 3707 - 3707F - 3707FC - 3901 - 4402	87
1960	6x10x15/19	MARTELLI / HAMMERS - HR2210 - 8035NB	1
1737	6x10x16/15	LEVIGATRICI / SANDERS - 9900 - 9900B - 9218SB - 9218PB PIALLE / PLANERS - 1001 - 1100 SMERIGLIATRICI / LAPPING MACHINES - 9005B - 9006B SEGHETTO / SMALL SAW - 4200N	2
1072	6x10x16/15	PIALLE / PLANERS - 1911B - 3608B TRAPANI A PERCUSSIONE / PERCUSSION DRILLS - HP2010 - HP2010N - HP2000	91
2185	6.5x13.5x16 Con autostacco with automatic disconnection	MARTELLI / HAMMERS - HM1200 - HM1200B - HM1200K - HM1201 - HM1202C - HM1300 - HM1300K - HM1301 - HM1400 - HM1400K - HR3600B - HR3850 - HR3850B - HR3850K - HR4500C - HR5000 - HR5000K - HR5001C - HR6000K TRAPANO / DRILL - 5100DR - 5103 - 5201 - 5401 - 5402 - 5500S - 5700 - 5800 - 5900B - 5900DR - 7104L - 7305H - 7605L - 8900 SMERIGLIATRICE ANGOLARE / ANGLE LAPPING MACHINE - 9400B - 9401 - 9402 - 9607B SEGA A CATENA / CHAIN SAW - 5011NB - 5014NB - 5016NB	1
1740	6.5x13.5x16	PIALLA / PLANER - 1805 LEVIGATRICI / SANDERS - 2400 - 2412N - 2414 - 2415 SMERIGLIATRICI / LAPPING MACHINES - 9609NB - 9401 - 9607 - 9400B 9067B - 9609B - 9606NB - 9607NB - 9607HB - 9609HB CESIOIE / SEHARS - 2412N - 2414 SEGHETTO / SMALL SAW - 5012B DEMOLITORI / DEMOLITION HAMMERS - HM1500 - 1400 - 1800	2
NOVITÀ NEW 2187	7x11x16.5	SEGHE CIRCOLARI / CIRCULAR SAWS - GA5021C MOLATRICI / GRINDER - GA6021C	22
2186	7x18x16	SMERIGLIATRICE ANGOLARE / ANGLE LAPPING MACHINE - 9027 - 9027F 9027S - 9027SF - 9029 - 9029F - 9029SF - 9037F - 9037SF - 9039 - 9039F - 9039S - 9039SF - 9047/F - 9049 - 9049SF - 9059 - 9059SF - 9629S - N9047SF - N9057SF - 9067 - 9069 - 9077SF - 9079SF FRESATRICE / SPINDLE MOULDER - 3612 - 3612C TRONCATRICE A DISCO / DISC CUTOFF SAW - 2414B - 2414NB - LC1230 MARTELLI / HAMMERS - HM1303 - HM1303B - HM1500 - HM1500B - HM1800 SEGA CIRCOLARE / CIRCULAR SAW - 5103 - 5103R - 5143R - 5903R	1

SPAZZOLE ADATTABILI PER UTENSILI

ADAPTABLE BRUSHES FOR TOOLS

RYOBI - MILWAUKEE

RIDGID



Articolo Art.	Dimensioni mm. Dimensions mm.	Impiego Use	Figura Figure
2105	5x8x10	MOLA / GRINDING WHEEL - G.S. 115	2
2108	5x10x10	TRAPANO / DRILL - 1920	2
2111	6x8x13	SMERIGLIATRICE ANGOLARE / ANGLE LAPPING MACHINE G600- G1001A - G1251A - G1005 - G1151A - G1155A	40
2112	6.4x13.4x17	TRONCATRICE / CUTOFF SAW - TSC306 - C3560 - C307NA - C356NA C357 - CS360 SEGA CIRCOLARE / CIRCULAR SAW - RA200N - RA2500A - W6402NC W8402NC MARTELLI / HAMMERS - CH481 - ED381 - ED382ND	1
2113	7x11x18	MARTELLI / HAMMERS - CH450PK - CH465 - CH460 - CH485K - ED350 SMERIGLIATRICE ANGOLARE / ANGLE LAPPING MACHINE - G1255	1
2114	7x11x18 Con autostacco with automatic disconnection	MARTELLI / HAMMERS - CH450PK - CH465 - CH460 - CH485K - ED350 SMERIGLIATRICE ANGOLARE / ANGLE LAPPING MACHINE - G1255 / MILWAUKEE	1
2115	7x17x17	SMERIGLIATRICE / LAPPING MACHINE - SG2320	81

RIDGID

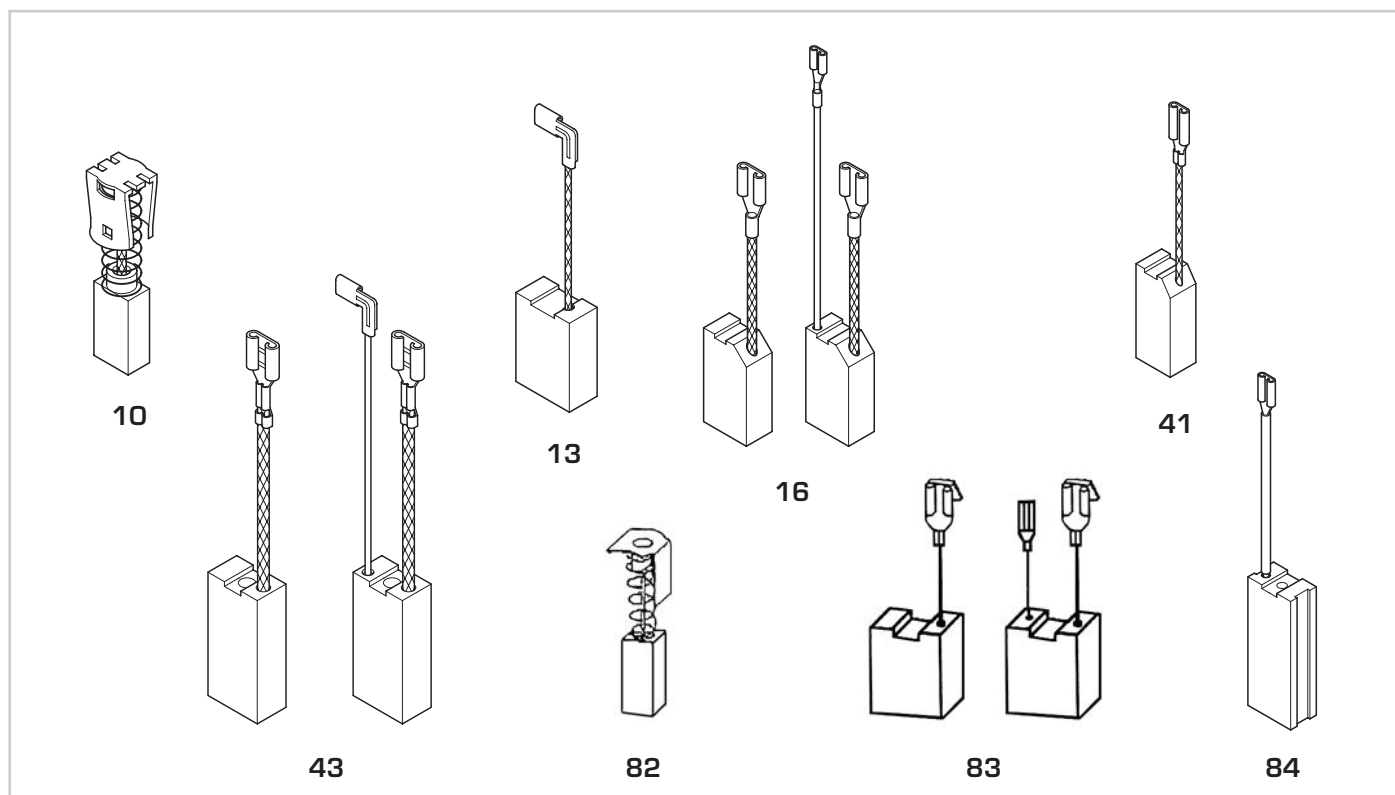
Articolo Art.	Dimensioni mm. Dimensions mm.	Impiego Use	Figura Figure
1950	8.7x19x25	FILETTATRICE / THREADER	63

Confezioni in buste da 30-50 pezzi / Packs of 30-50 pcs.

SPAZZOLE ADATTABILI PER UTENSILI

ADAPTABLE BRUSHES FOR TOOLS

HILTI



Articolo Art.	Dimensioni mm. Dimensions mm.	Impiego Use	Figura Figure
2201	5x8x12 Con autostacco with automatic disconnection	MARTELLI / HAMMERS - TE5 - T8 - T10 - TE10	10
1091	5x8x18/15 Con autostacco with automatic disconnection	MARTELLO / HAMMER - T18	10
1093	6.3x8x19 Con autostacco with automatic disconnection	MARTELLO / HAMMER - TE12	41
1095 (coppia) (brace)	6.3x10x19 Con autostacco with automatic disconnection	MARTELLO / HAMMER - TE54	16
1092	6.3x10x26	MARTELLI / HAMMERS - TP400-TE52-TE42	84
1096	6.3x12.5x19	MARTELLO / HAMMER - TP804	13
2202	6.3x12.5x19 Con autostacco with automatic disconnection	MARTELLO / HAMMER - TE72	82
2203 (coppia) (brace)	6.3x16x22 Con autostacco with automatic disconnection	TRAPANO / DRILL - DD160E	83
1097 (coppia) (brace)	7x12.5x26 Con autostacco with automatic disconnection	MARTELLO / HAMMER - TE74	43

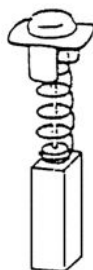
Confezioni in buste da 30-50 pezzi / Packs of 30-50 pcs.



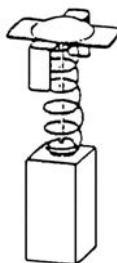
SPAZZOLE ADATTABILI PER UTENSILI

ADAPTABLE BRUSHES FOR TOOLS

HITACHI - DIAMOND



85



86



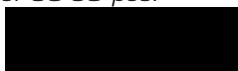
87

Articolo Art.	Dimensioni mm. Dimensions mm.	Impiego Use	Figura Figure
2226	6.5x7.5x13	<p>HITACHI: AVVITATORE AD IMPULSI / <i>IMPACT WRENCH</i> - W4YE - W4YF - WH12 - WH14 - WH16 CESCOIA / <i>SHEARING UNIT</i> - CB10VA - CE16 - CN16 SEGNETTO ALTERNATIVO / <i>HACK SAW</i> - CJ60/60V/60T - CJ65/65SI /65V/65VA/65VB/65VE/65VAI PIALLETTO ELETTRICO / <i>ELETTRIC PLANE</i> - F20A - PDA100D - P20SB MINI SMERIGLIATRICE / <i>MINI LAPPING MACHINE</i> - CP2 - CP12B/S1/SA/YB1 - FG12SA2 - G10D1/SB1/SF/SG/SK/SP/SR - G12S1/SA/SG/SR - G13SA/SB/SG/YB/YB1 LEVIGATRICE / <i>SANDER</i> - SO110/SOD110 - SP13 FRESATRICE / <i>SPINDLE MOULDER</i> - TR6/A/1APLUS - M6SA/SB LEVIGATRICE ORBITALE / <i>ORBITAL SANDER</i> - LDV4 - SV12 - VR16/VRV16 - SAY150A TRAPANO / <i>DRILL</i> - D10YA MARTELLI / <i>HAMMERS</i> - DH20V/22V/22VA/25V TAGLIASIEPE / <i>EDGE CUTTER</i> - FG10SA - FG12A2 SMERIGLIATRICE ANGOLARE / <i>ANGLE LAPPING MACHINE</i> - GP2 - GP2SA SOFFIATRICE / <i>BLOWER</i> - PB20</p>	87
2221	7x11x17	<p>HITACHI-DIAMOND: AVVITATORE AD IMPULSI / <i>IMPACT WRENCH</i> - WH22 SEGA A GATTOCCIO DRITTA / <i>TURNING SAW</i> - CR10V - CR12V - CR17Y SEGA CIRCOLARE / <i>CIRCULAR SAW</i> - C6/6U - C7/7U/7SC/75C/75D CB10V/12V/17Y - CB8B/8C/8S - CBC6 - CBSC - CM4SA2 - CM6 - F8FC/FS - FC6SA/7SA PIALLETTO ELETTRICO / <i>ELETTRIC PLANE</i> - F30A/AT - P30 - PDH125 - PH40 - PR25B/38E - PSU6 - PUPM3 ASPIRAPOLVERE / <i>ASPIRATOR</i> - NUPSR3 - NUSR - NUSR5 LEVIGATRICE A NASTRO / <i>BELT SANDER</i> - S15 - SB8T - SB10T - SB10V/75 - SP18/18T/18V MINI SMERIGLIATRICE / <i>MINI LAPPING MACHINE</i> - G13SC - G15SA LEVIGATRICE / <i>SANDER</i> - SAT180 - SAT182 TRAPANI / <i>DRILLS</i> - D13 - D13SA - D13Y - DC120V - VR38 - VTP16A - VTV16 MARTELLI / <i>HAMMERS</i> - BM25Y - BM50/50SA - BUPN3 - DH28Y - DH38YA/YB/YB1/YF - DH40FA/MA/SA/YB - DH42 - DMT16 - DMT16N - DMR13 - DMV16 - H41 - H45SA - H50 - H50SA TRONCATRICI / <i>CUSTOFF SAWS</i> - C8FA - C8FB - C8FC - C8FS</p>	85

HITACHI - DIAMOND

Articolo Art.	Dimensioni mm. Dimensions mm.	Impiego Use	Figura Figure
2227	7x13x17	HITACHI: PIALLETTO ELETTRICO / ELETTRIC PLANE - P20SD/P40/P50 - P50K - P50SA - PG21SA LEVIGATRICE A NASTRO / BELT SANDER - SB110 FRESATRICE / SPINDLE MOULDER - MB12SB - TR12 SMERIGLIATRICI / LAPPING MACHINES - G18DF - G18SC - G18SD - G23SA/SB - GP13 SEGA A CATENA / CHAIN SAW - C6SA - C7BD - C7SB - C10FB - C75B - C12 - C13 - CC12SA/14SA - CS28B - CS280A - CS35B - CS350A SEGA CIRCOLARE / CIRCULAR SAW - C8 - C8U - C8V - C9U - PSM7 LEVIGATRICE / SANDER - SAH180 - SR15 MARTELLI / HAMMERS - BLU4 - DH50SA - DH50SA1 - DH50SB - DH55 - DUPN2 - H55A/SC CESIOIA / SHEARING UNIT - CN45SA RODITRICE / NIBBLING MACHINE - CN60SA TRONCATRICE / CUTOFF SAW - HU12 - HU14	85
2228	7x17x17	HITACHI: SEGA CIRCOLARE / CIRCULAR SAW - PSM8/9 - PSU7/8/9/13/14 - C13U - CM12Y PIALLETTO ELETTRICO / ELETTRIC PLANE - P12R/A - P100F/PDH180C - PH65A - PS15A SMERIGLIATRICI / LAPPING MACHINES - G18SE/SE2/SG/SH/SF/U/UA/UB - G23SC/SC2/SD/SE/SF/U/UA/UB - GS23V - GS23VA - GS23VB - GS231/2 - GS23SD - GS23SE - GS23SF - S23U/USA/UB/SG/SH FRESATRICE / SPINDLE MOULDER - M12SA/V MARTELLI / HAMMERS - H65SA - H90SA - BM25 - H65SB - H90SB - H90SC - DH50MB - C10FA/15FB/CB75/CB75F/YC14 SEGHETTO ALTERNATIVO / HACK SAW - 2+SA - CD12F/C13SA-FCJ55V - H85 - F1000A TAGLIASIEPE / HEDGE CUTTER - CC12/Y - CC14 - CC16SA TRONCATRICE / CUTOFF SAW - C12FA	86
2222	7x17x17	HITACHI-DIAMOND: SEGA CIRCOLARE / CIRCULAR SAW - PSM8/9 - PSU7/8/9/13/14 - C13U - CM12Y PIALLETTO ELETTRICO / ELETTRIC PLANE - P12R/A - P100F/PDH180C - PH65A - PS15A SMERIGLIATRICI / LAPPING MACHINES - G18SE/SE2/SG/SH/SF/U/UA/UB - G23SC/SC2/SD/SE/SF/U/UA/UB - GS23V - GS23VA - GS23VB - GS231/2 - GS23SD - GS23SE - GS23SF - S23U/USA/UB/SG/SH FRESATRICE / SPINDLE MOULDER - M12SA/V MARTELLO / HAMMER - H65SA - H90SA - BM25 - H65SB - H90SB - H90SC - DH50MB - C10FA/15FB/CB75/CB75F/YC14 SEGHETTO ALTERNATIVO / HACK SAW - 2+SA - CD12F/C13SA-FCJ55V - H85 - F1000A TAGLIASIEPE / HEDGE CUTTER - CC12/Y - CC14 - CC16SA TRONCATRICE / CUTOFF SAW - C12FA	86

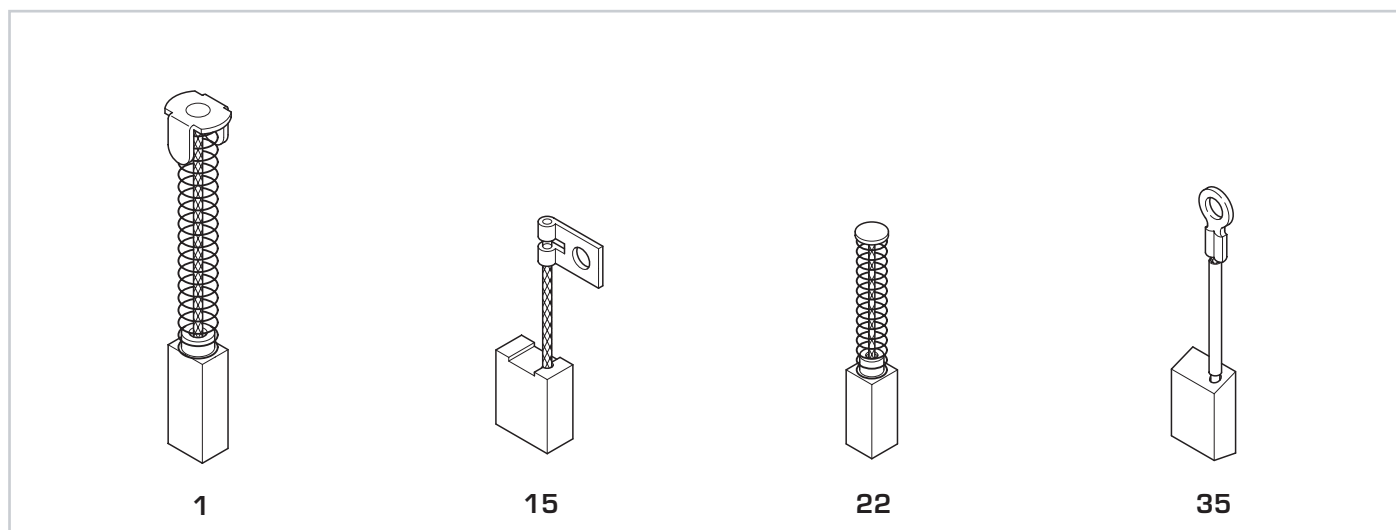
Confezioni in buste da 30-50 pezzi / Packs of 30-50 pcs.



SPAZZOLE ADATTABILI PER UTENSILI

ADAPTABLE BRUSHES FOR TOOLS

KANGO

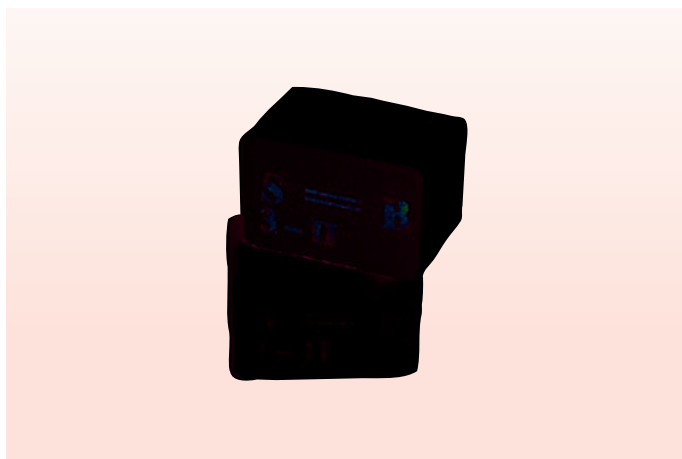


Articolo Art.	Dimensioni mm. Dimensions mm.	Impiego Use	Figura Figure
1962	5x10x16	MARTELLO / HAMMER - 637	35
1952	6.2x9.4x20	MARTELLI / HAMMERS - 900 - 950	1
2211	6.3x20x25	MARTELLO / HAMMER - 2500	15
2212	6.35x9.52x21	MARTELLI / HAMMERS - 900KV - 900MV - 950KV	22

Confezioni in buste da 30-50 pezzi / Packs of 30-50pcs.

PIETRA POMICE

PUMICE STONE



Per pulizia ed adattamento spazzole sui collettori.
For cleaning and adapting the brushes on the manifolds.

Articolo Art.	Dimensioni mm. Dimensions mm.
SPP.20	90x62x56