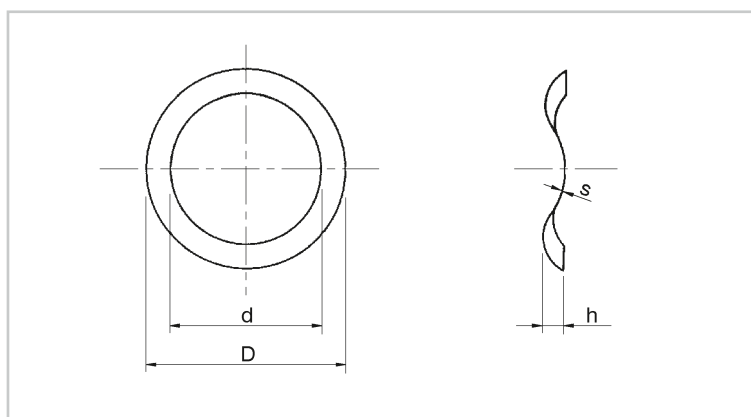


ANELLI ONDULATI

ONDULATED RINGS

BURGMANN



Anelli di compensazione e spinta per cuscinetti / Compensation and thrust rings for bearings

Articolo Art.	Ø esterno cuscinetto ext. Ø bearing	D	d	s	h	N° delle onde no. of waves
RO.13	13	12	7.2	0.2	1.4	3
RO.16	16	15.8	10.5	0.3	1.5	3
RO.18	18	17	12	0.3	1.5	3
RO.19	19	18.8	11.4	0.3	1.6	3
RO.22	22	21.8	14	0.3	1.6	3
RO.24	24	23.8	17.5	0.3	1.7	3
RO.26	26	25.8	19.3	0.3	1.7	3
RO.28	28	27.8	21	0.3	1.7	3
RO.30	30	29.7	22.5	0.3	1.8	3
RO.32	32	31.7	26.5	0.4	2	3
RO.35	35	34.5	28	0.5	3	3
RO.37	37	36.4	30	0.5	2.5	4
RO.40	40	39.1	33	0.5	3	4
RO.42	42	40	30	0.5	3	4
RO.47	47	46.5	40	0.5	3	4
RO.52	52	51	42	0.5	3.5	5
RO.55	55	54.8	46.9	0.5	3.5	4
RO.62	62	61	51	0.5	4	4
RO.72	72	71	61	0.5	4	4
RO.75	75	74.8	66	0.6	4	4
RO.80	80	79	71	0.6	3.5	6
RO.85	85	84	74	0.6	3.5	6
RO.90	90	89	79	0.6	3.5	6
RO.100	100	99	89	0.6	3.5	6
RO.110	110	109	99	0.7	4.5	7
RO.120	120	119	104	0.8	4	6
RO.130	130	129	110	0.8	4	6
RO.140	140	139	121	0.9	4	6
RO.150	150	149	126	0.9	4	6
RO.160	160	159	137	1	4	6
RO.170	170	169	147	1	4	6