

KIT SERVOVENTILATO

SERVO-VENTILATED KIT



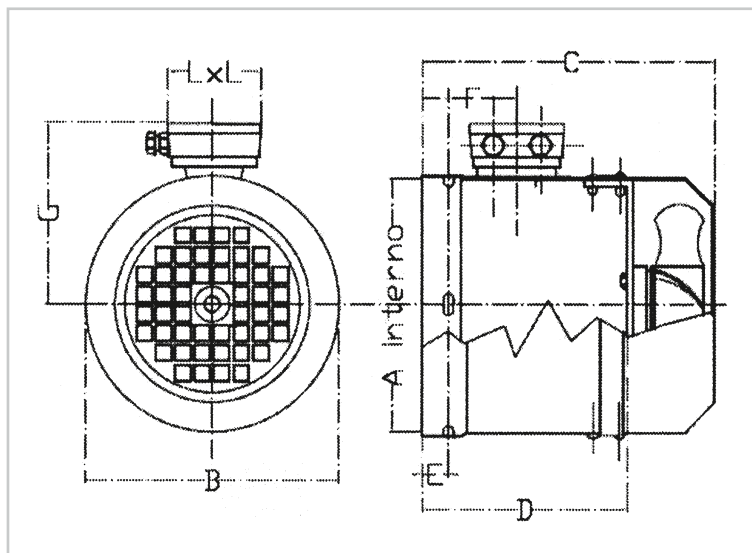
APPLICAZIONI PER RAFFREDDAMENTO

MOTORI ELETTRICI

MOTOR COOLING APPLICATION

KIT SERVOVENTILATO PER MOTORE MONOFASE AUTOFRENANTE - CON E SENZA MORSETTIERA - IP40

SERVO-VENTILATED KIT FOR SELF-BRAKING SINGLE-PHASE MOTOR WITH AND WITHOUT TERMINAL BOARD



INGOMBRI MONOFASI CON MORSETTIERA IP40 IP55.

SINGLE-PHASE MOTOR OVERALL DIMENSIONS WITH TERMINAL BOARD IP40 IP55.

MEC	Senza morsettiiera Without terminal board	Con morsettiiera With terminal board	A	B	C	D	E	F	G	LxL
	Articolo Article	Articolo Article								
63	CLC.63	CLD.63	121	123	168	118	10	50	104	68
71	CLC.71	CLD.71	136	138	178	128	10	50	111	68
80	CLC.80	CLD.80	153	155	185	135	10	55	120	68
90	CLC.90	CLD.90	174	176	190	125	15	60	130	68
100	CLC.100	CLD.100	192	194	200	135	15	60	140	68
112	CLC.112	CLD.112	218	220	220	160	15	60	153	68
132	CLC.132	CLD.132	255	257	250	190	15	65	172	68

MEC	Volt	Hz	Velocità nom. min/1 Nom. speed min/1	Assorb. watt Abs. watt	Corrent. m.a. Current. m.a.	Port. aria m ³ /h Air flow m ³ /h
63	230	50/60	2750	15/14	120/100	180
71	230	50/60	2750	15/14	120/100	180
80	230	50/60	2750	15/14	120/100	180
90	230	50/60	2900	42/36	190/180	340
100	230	50/60	2900	42/36	190/180	340
112	230	50/60	2900	42/36	190/180	340
132	230	50/60	2900	42/36	190/180	340

Su richiesta è possibile fornire anche la versione IP55

IP55 version also available on request