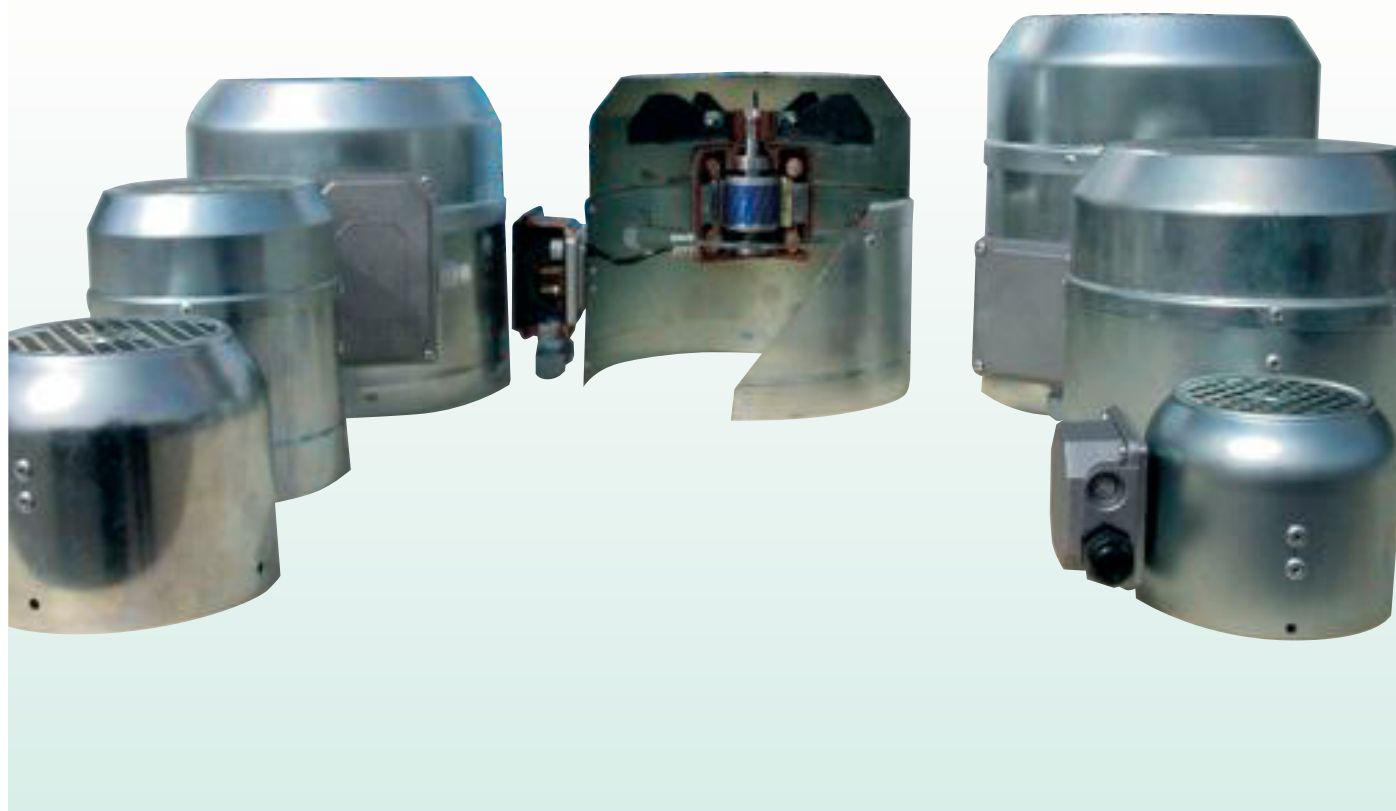


KIT SERVOVENTILATO

SERVO-VENTILATED KIT



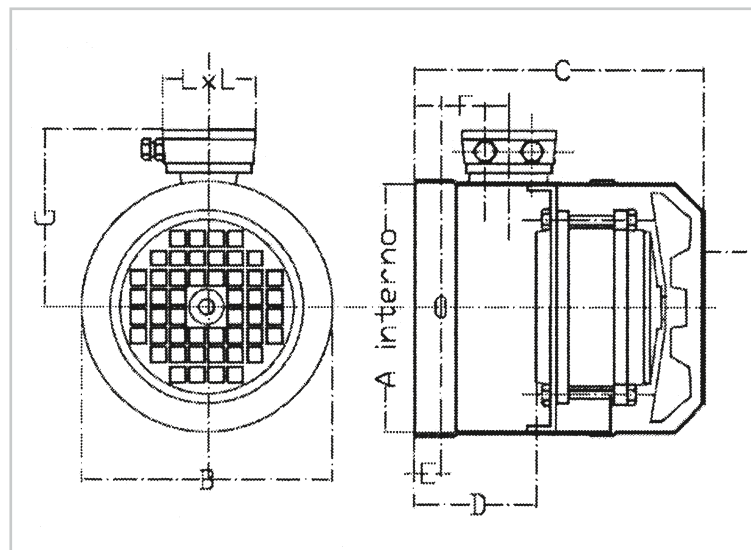
APPLICAZIONI PER RAFFREDDAMENTO

MOTORI ELETTRICI

MOTOR COOLING APPLICATION

KIT SERVOVENTILATO PER MOTORE TRIFASE CON MORSETTIERA - IP55

SERVO-VENTILATED KIT FOR THREE-PHASE MOTOR WITH TERMINAL BOARD



INGOMBRI TRIFASI CON MORSETTIERA.

THREE-PHASE MOTOR OVERALL DIMENSIONS WITH TERMINAL BOARD.

MEC	Articolo Article	A	B	C	D	E	F	G	LxL
160	CLI.160	310	313	330	140	20	70	200	100
180	CLI.180	355	358	355	160	23	75	227	100
200	CLI.200	390	393	375	175	27	80	245	100
225	CLI.225	440	443	385	185	30	80	270	100
250	CLI.250	480	483	400	190	40	90	300	100
280	CLI.280	534	538	460	200	50	90	330	100
315	CLI.315	591	595	500	200	58	100	360	100

MEC	Volt	Hz	Velocità nom. min/1 Nom. speed min/1	Poten. Kw Power Kw	Assorb. AMP Assorb. AMP	Port. aria m ³ /h Air flow m ³ /h
160	400	50/60	1380	0.25	0.90	750
180	400	50/60	1380	0.25	0.90	850
200	400	50/60	1380	0.25	0.90	1200
225	400	50/60	1380	0.37	1.10	1500
250	400	50/60	1380	0.37	1.10	1750
280	400	50/60	1380	0.55	1.40	2100
315	400	50/60	1380	0.75	1.85	2850