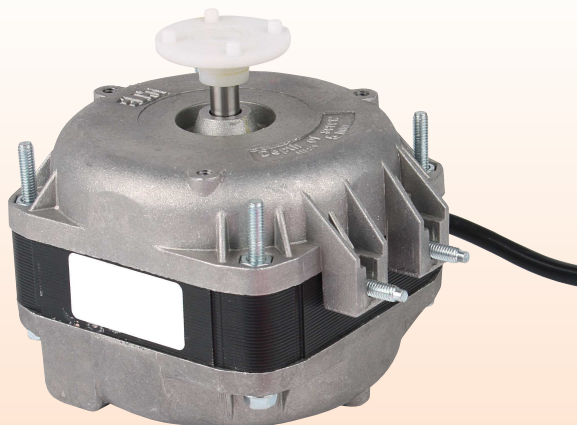


# ELETTROVENTILATORI AD AZIONE ASPIRANTE PENTAVALENTI

## ELECTRIC BLOWERS WITH SUCTION ACTION WITH FIVE DIFFERENT TYPES OF FIXATION

**Per raffreddamento motori, congelatori, banchi e vetrine frigorifere.**

*For cooling of engines, freezers, refrigerator counters and showcases.*



### CARATTERISTICHE TECNICHE:

Esecuzione chiusa.

Motore Monofase a 4 poli schermati.

Giri /min 1300 - V 230 - Hz 50/60

Coperchi in lega leggera - Albero temperato e lappato.

Cuscinetti autoallineati ed autolubrificati

Adatti per temperature da - 30° C a + 45° C.

A servizio continuo.

### TECHNICAL CHARACTERISTICS:

Closed execution.

Shielded 4 poles single-phase motor.

1300 rpm - 230 V - Hz 50/60

Covers in light alloy - Hardened and lapped shaft.

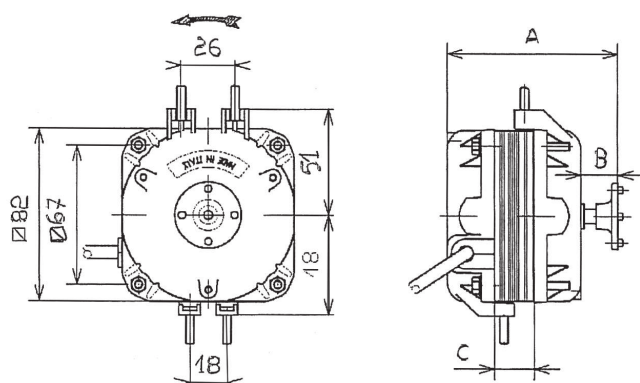
Self-aligned and self-lubricated bearings.

Suitable for temperatures from - 30° C to + 45° C.

Continuous operation.

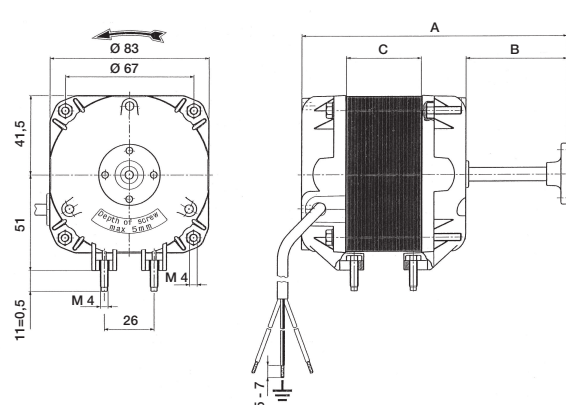
### VL.205 ÷ VL.234 Rotazione antioraria vista lato albero

*Anti-clockwise rotation side shaft view*



### VL.125L Rotazione antioraria vista lato albero

*Anti-clockwise rotation side shaft view*



### Motori pentavalenti / Motors with five different types of fixation

Articolo Art.	Watt Resi Watt Given	Watt assorb. Abs. Watt	m <sup>3</sup> /h	A	B	C
VL.205	5	29	520	78	21	13
VL.210	10	43	750	85	22	19
VL.216	16	63	1080	96	21	25
VL.225	25	75	1600	115	26	38
VL.234	34	100	1950	115	28	38
VL.125L	25	95	1600	139	53	40

**Tutti i ventilatori sono venduti senza accessori e ventole.**

*All the fans are sold without accessories and fans.*