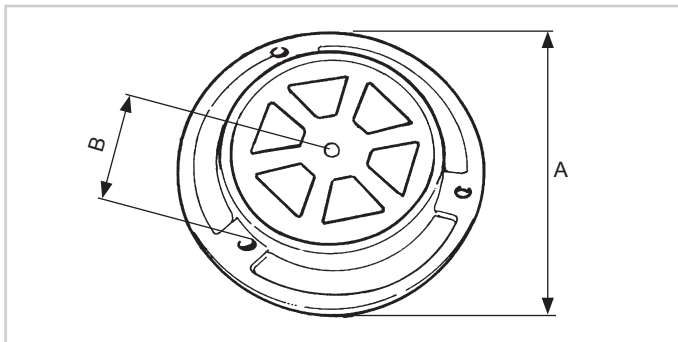
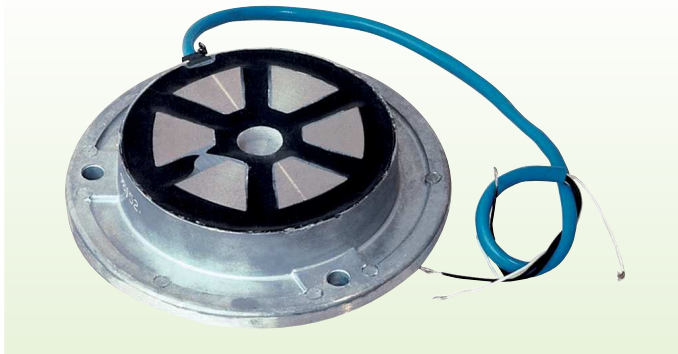


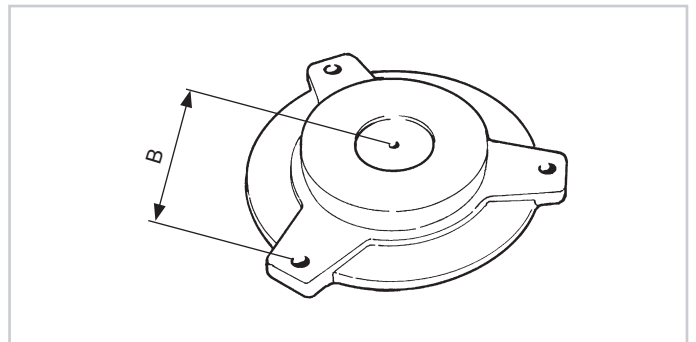
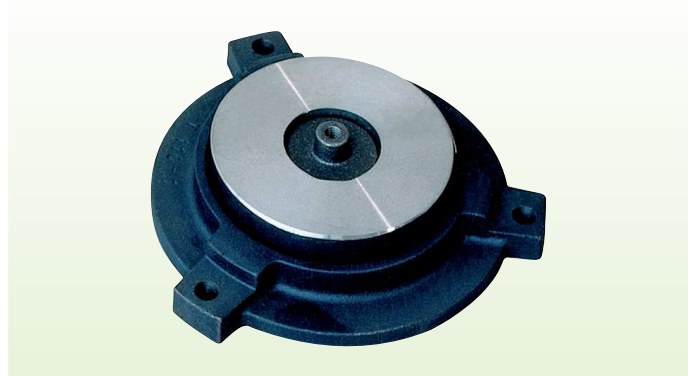
RICAMBI PER ELETTROFRENI

SPARE PARTS FOR ELECTRIC BRAKES

ELETTROMAGNETI VOLT 230/400 230/400V ELECTROMAGNETS



ANCORE ANCHORS



N.B.: Su richiesta è possibile fornire elettromagneti in c.c. precisando la tensione desiderata. Per quotazioni contattare i nostri uffici.

N.B.: On request d.c. magnets can be supplied. Please specify required voltage. For quotations please contact our offices.

Articolo Art.	Tipo magnete Magnet type	A mm.	B interasse mm. B centre distance mm.	N° fori No. of holes
ET.60	MEC56-T60	107	48	3
TMEC.63	MEC63	123	55	3
ET.70	T70	130	58	3
TMEC.71	MEC71	133	60.5	3
ET.80	T80	144	63	3
TMEC.80	MEC80	155	69	3
ET.90	T90	170	73	3
TMEC.90	MEC90	172	77.5	3
ET.100	T100	180	80	3
TMEC.100	MEC100	190	85	3
ET.110	T110	200	85	3
TMEC.112	MEC112	220	100	3
ET.120	T120	230	100	3
ET.140	MEC132-T140	240	105	6
ET.160	MEC160-T160	255	113	6
ET.180	MEC180-T180	335	145	6

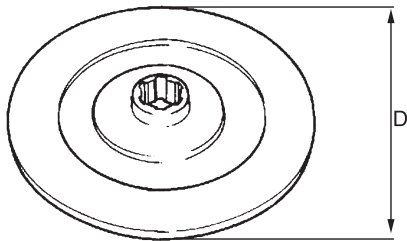
Articolo Art.	Tipo magnete Magnet type	B interasse mm. B centre distance mm.	N° fori No. of holes
ANT.60	MEC56-T60	48	3
AMEC.63	MEC63	55	3
ANT.70	T70	58	3
AMEC.71	MEC71	60.5	3
ANT.80	T80	63	3
AMEC.80	MEC80	69	3
ANT.90	T90	73	3
AMEC.90	MEC90	77.5	3
ANT.100	T100	80	3
ANT.110	MEC100-T110	85	3
ANT.120	MEC112-T120	100	3
ANT.140	MEC132-T140	105	6
ANT.160	MEC160-T160	113	6
ANT.180	MEC180-T180	145	6

Per la serie MEC è necessario eseguire un foro centrale per il passaggio dell'albero motore.
For the MEC series, a centre hole will have to be made for the driving shaft.

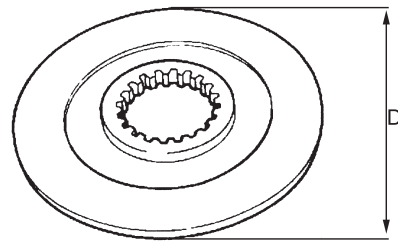
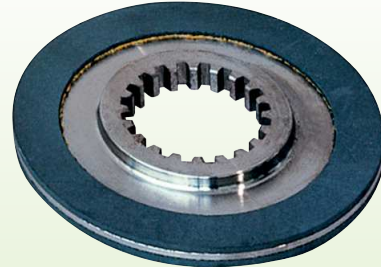
RICAMBI PER ELETTROFRENI

SPARE PARTS FOR ELECTRIC BRAKES

DISCHI SCANALATI
GROOVED DISKS



DISCHI PER MOZZI
HUB DISKS



Articolo Art.	Tipo magnete Magnet type	N° denti No. of teeth	D mm.
DST.70	MEC63-T70	6	102
DST.80	MEC71-T80	6	110
DST.90	MEC80-T90	6	128
DST.100	MEC90-T100	6	141
DST.110	MEC100-T110	6	152
DST.120	MEC112-T120	6	183
DS8.120	MEC112-T120	8	183
DST.140	MEC132-T140	8	192

Articolo Art.	Tipo magnete Magnet type	N° denti No. of teeth	D mm.
DMT.60	MEC56-T60	15	88
DMT.70	MEC63-T70	34	99
DMT.80	MEC71-T80	34	110
DMT.90	MEC80-T90	34	125
DMT.100	MEC90-T100	20	141
DMT.110	MEC100-T110	20	153
DMT.120	MEC112-T120	20	181
DMT.140	MEC132-T140	20	192
DMT.160	MEC160-T160	23	202
DMT.180	MEC180-T180	28	246

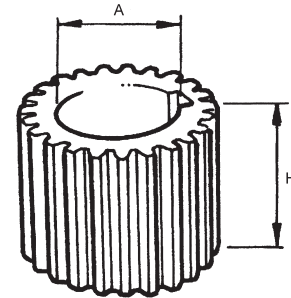
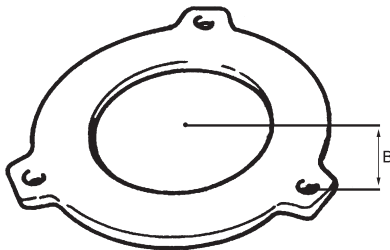
RICAMBI PER ELETTROFRENI

SPARE PARTS FOR ELECTRIC BRAKES

FLANGE
FLANGES



MOZZI
HUBS



Articolo Art.	Tipo magnete Magnet type	B interasse mm. B centre distance mm.	N° fori No. of holes
FLT. 80	T80	63	3
FLT. 100	T100	80	3
FLT. 110	MEC100-T110	85	3
FLT. 120	MEC112-T120	100	3
FLT. 140	MEC132-T140	105	6
FLT. 160	MEC160-T160	113	6
FLT. 180	MEC180-T180	145	6

Articolo Art.	Tipo magnete Magnet type	N° denti No. of teeth	A Ø foro mm. A Ø hole mm.	H Altezza mm. H Height mm.
MST. 151	T70/80-MEC63/71	15	14	16
MST. 152	T90-MEC80	34	18	16
MST. 153	T100-MEC90	15	24	16
MST. 154	-	34	20	20
MST. 155	-	34	24	20
MST. 158	T100/110-MEC90/100	20	24	18
MST. 159	T110/120-MEC100/112	20	28	18
MST. 160	-	20	24	25
MST. 161	-	20	28	25
MST. 162	-	20	25	30
MST. 163	-	20	34	30
MST. 164	T110D-MEC112D	20	28	35
MST. 165	T110D-MEC112D	20	34	35
MST. 166	T120D/140D-MEC112D/132D	20	28	40
MST. 167	T120D/140D-MEC112D/132D	20	34	40
MST. 170	T160D-MEC160D	23	42	40
MST. 171	T160D-MEC160D	23	44	40
MST. 172	T160T-MEC160T	23	44	60
MST. 173	T180D-MEC180D	28	48	52
MST. 174	T180T-MEC180T	28	48	80

RICAMBI PER ELETTROFRENI

SPARE PARTS FOR ELECTRIC BRAKES

TIRANTI TIE RODS



Articolo Art.	Tipo magnete Magnet type	Ø per lunghezza mm. Ø x length mm.
TST.104	T80D-MEC71D	8 x 95
TST.105	-	8x110 (ribassato/lowered)
TST.109	MEC112	10 x 110
TST.131	MEC112	10 x 115
TST.112	T110D-MEC100D	10 x 125
TST.113	T120D-MEC112	10 x 145
TST.114	T120	12 x 120
TST.115	T140/160-MEC132/160	12 x 130
TST.116	T120D	12 x 140
TST.117	T140D/160D-MEC132D/160D	12 x 145
TST.118	T160D-MEC160D	12 x 150
TST.119	T140T/160T-MEC132T/160T	12 x 175
TST.121	T180D-MEC180T	14 x 195

TIRANTI ESAGONALI HEXAGONAL TIE RODS



Articolo Art.	Tipo magnete Magnet type	Ø per lunghezza mm. Ø x length mm.
TST.200	T70-MEC63	8 x 77
TST.202	T80-MEC71	8 x 80
TST.203	T90-MEC80	10 x 97
TST.210	T100-MEC90	10 x 101
TST.204	T110-MEC100	10 x 106

MOLLE PER TIRANTI SPRINGS FOR TIE RODS



Articolo Art.	Ø mm.
MLT.06	6
MLT.08	8
MLT.10	10
MLT.12	12
MLS.12	12 Sottile / Thin