

TENUTE MECCANICHE INDUSTRIALI

INDUSTRIAL MECHANICAL SEALS

NOVITÀ
NEW

PER UTILIZZI MEDI E GRAVOSI / FOR MEDIUM-HI DUTY

SERIE / SERIES DR2S



Tenuta serie DR2S
Series seal DR2S

DR2S - Tenuta bilanciata / *Balanced seal.*

TENUTA

Silicio-Viton®. AISI 316. Guarnizioni in Viton®.

Seal

Silicon-Viton®. AISI 316. Viton® gaskets.

CONTROFACCIA - Silicio-Viton®. Guarnizioni in Viton®.

Counterface - Silicon-Viton®. Viton® gaskets.

SENSO DI ROTAZIONE - Indipendente

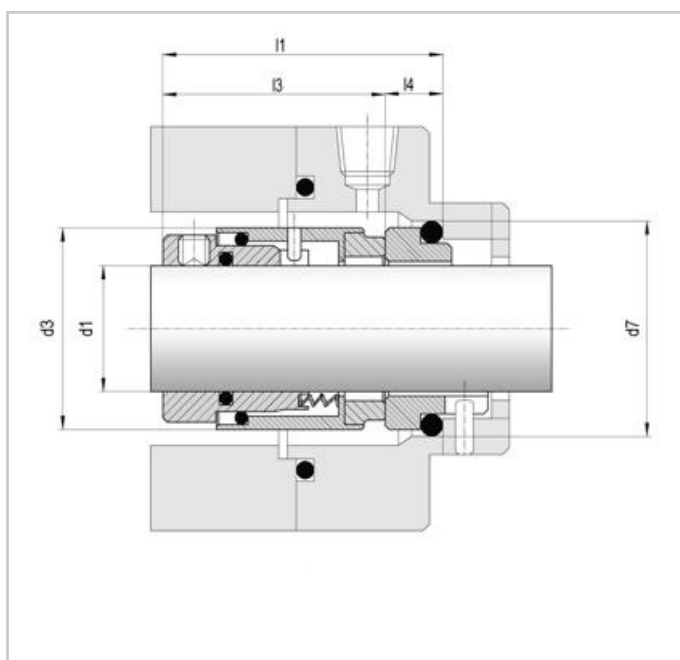
Direction of rotation - Independent

LIMITI D'IMPIEGO

$p= 25 \text{ bar} - v= 20 \text{ m/s} - t= -20^{\circ}\text{C} + 200^{\circ}\text{C}$

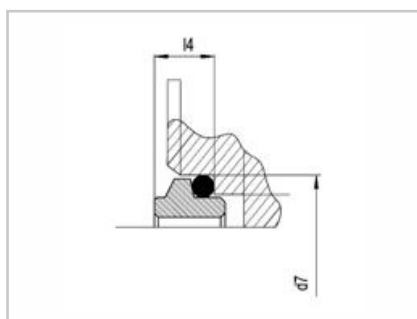
Limits of use

$p= 25 \text{ bar} - v= 20 \text{ m/s} - t= -20^{\circ}\text{C} + 200^{\circ}\text{C}$



Controfaccia serie CA

Series counterface CA



TENUTE MECCANICHE INDUSTRIALI

INDUSTRIAL MECHANICAL SEALS

NOVITÀ
NEW

DIN 24960 - EN12756

Articolo Art.	TENUTA Seal DR2S				CONTROFACCIA Counterface CA		
	d1	d3	I1	I3	Articolo Art.	d7	I4
DR2S.20	20	34	37.5	27.5	CA.20	35	10
DR2S.22	22	36	37.5	27.5	CA.22	37	10
DR2S.24	24	38	40	30	CA.24	39	10
DR2S.25	25	39	40	30	CA.25	40	10
DR2S.28	28	42	42.5	32.5	CA.28	43	10
DR2S.30	30	44	42.5	32.5	CA.30	45	10
DR2S.32	32	46	42.5	32.5	CA.32	48	10
DR2S.33	33	47	42.5	32.5	CA.33	48	10
DR2S.35	35	49	42.5	32.5	CA.35	50	10
DR2S.38	38	54	45	34	CA.38	56	11
DR2S.40	40	56	45	34	CA.40	58	11
DR2S.43	43	59	45	34	CA.43	61	11
DR2S.45	45	61	45	34	CA.45	63	11
DR2S.48	48	64	45	34	CA.48	66	11
DR2S.50	50	66	47.5	34.5	CA.50	70	13
DR2S.53	53	69	47.5	34.5	CA.53	73	13
DR2S.55	55	71	47.5	34.5	CA.55	75	13
DR2S.58	58	78	52.5	39.5	CA.58	78	13
DR2S.60	60	80	52.5	39.5	CA.60	80	13
DR2S.63	63	83	52.5	39.5	CA.63	83	13
DR2S.65	65	85	52.5	39.5	CA.65	85	13
DR2S.68	68	88	52.5	39.5	CA.68	90	13
DR2S.70	70	90	60	45	CA.70	92	15
DR2S.75	75	99	60	45	CA.75	97	15
DR2S.80	80	104	60	44	CA.80	105	16
DR2S.85	85	109	60	44	CA.85	110	16
DR2S.90	90	114	65	49	CA.90	115	16
DR2S.95	95	119	65	49	CA.95	120	16
DR2S.100	100	124	65	49	CA.100	125	16